

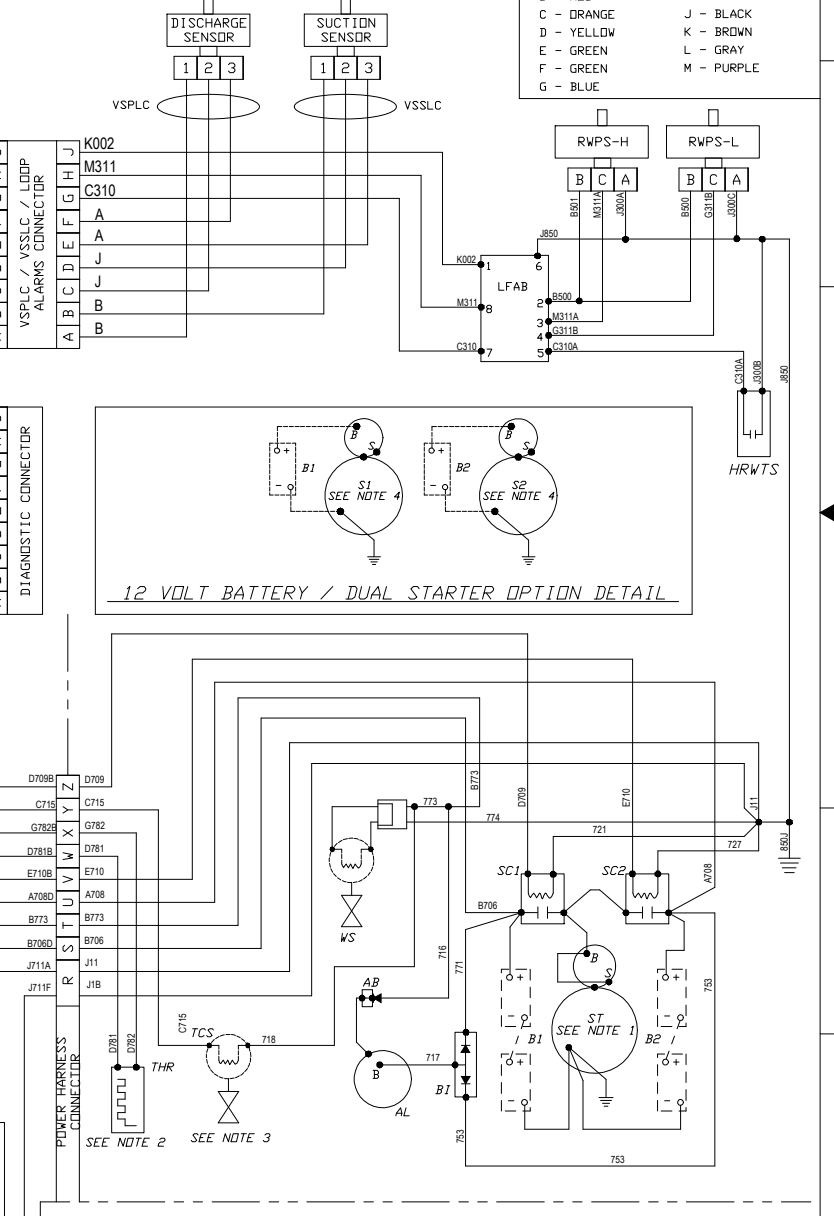
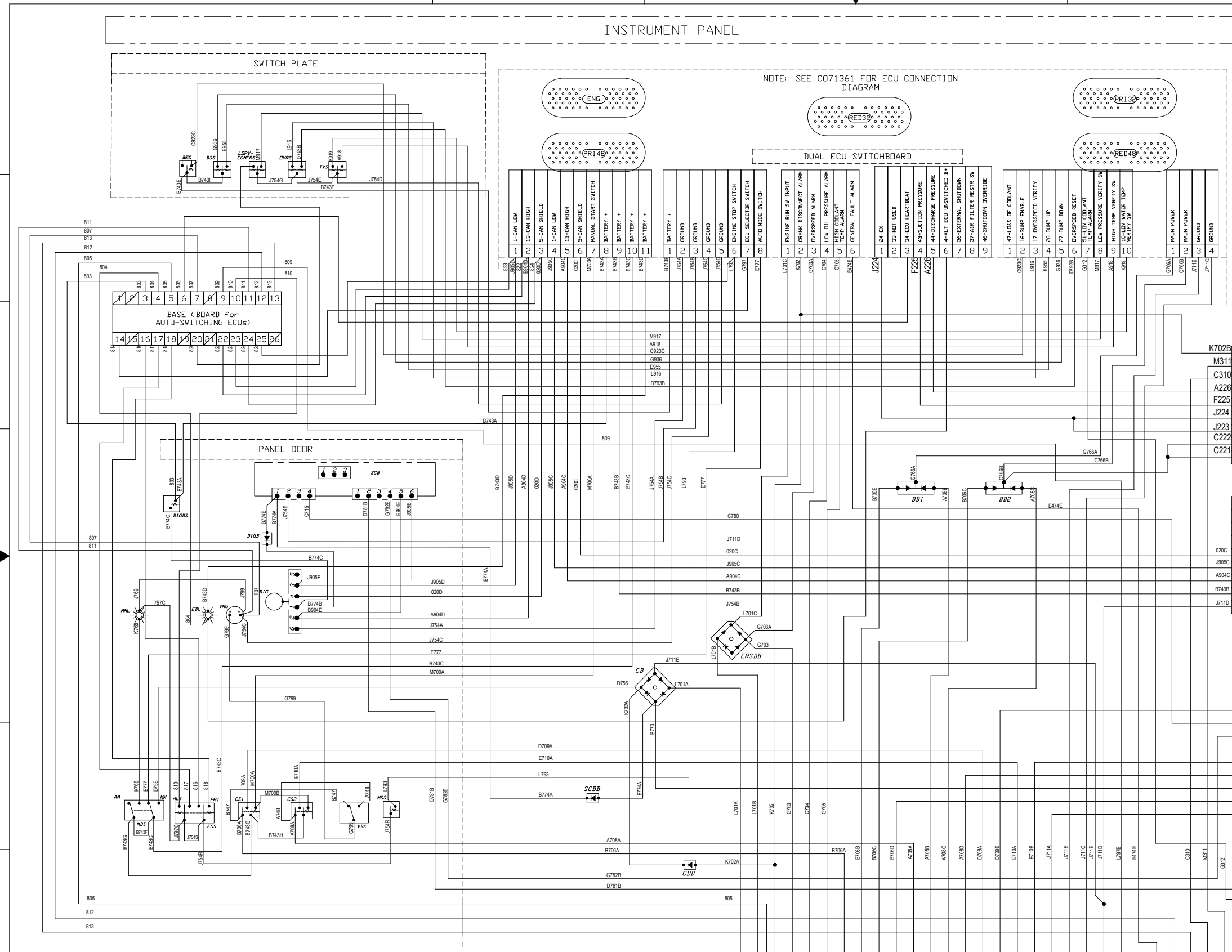
REV	DESCRIPTION	ECN#	DWN	APVD	DATE
-	ADDED CONTROLLED DRAWING BLOCK	6309	LJV	MJD	25AUG21

### LEGEND

AB - ALTERNATOR BRIDGE	MMS - MODE SELECTOR SWITCH
AL - ALTERNATOR	MM - MANUAL MODE POSITION
AM - AUTOMATIC MODE POSITION	MML - MANUAL MODE INDICATING LAMP
B1 - BATTERY #1	MP - MAGNETIC PICK-UP
B2 - BATTERY #2	MSS - MANUAL STOP SWITCH
BB1 - BATTERY BRIDGE #1	DCB - OVER-CURRENT BREAKER
BB2 - BATTERY BRIDGE #2	DVRS - OVERSPEED VERIFY @ 67% / RESET SWITCH
BES - BUMP ENABLE SWITCH	RWPS-H - RAW WATER PRESSURE SENSOR HIGH
BSS - SPEED BUMP SWITCH	RWPS-L - RAW WATER PRESSURE SENSOR LOW
B1 - BATTERY ISOLATOR	SC1 - STARTER CONTACTOR BATT#1
CS1 - CRANK (MANUAL) SWITCH - BATT#1	SC2 - STARTER CONTACTOR BATT#2
CS2 - CRANK (MANUAL) SWITCH - BATT#2	SCB - SOLENOID CONTROL BOARD
CB - COOLANT BRIDGE	SCBB - SOLENOID CONTROL BOARD DIODE
CDD - CRANK DISCONNECT DIODE	ST - STARTER
DIA - DIAGNOSTIC GAUGE	TCS - TEMPERATURE CONTROL SOLENOID
DIGB - DIAGNOSTIC GAUGE DIODE BRIDGE	THR - SCB THERMISTOR (COMPRESSOR INLET)
DIGDS - DIAGNOSTIC GAUGE DISPLAY SWITCH	TVS - TEMPERATURE ALARM VERIFY SWITCH
EBL - ALTERNATE ECU INDICATING LAMP	VBS - BATTERY VOLTAGE SELECTOR
ERSDB - ENGINE RUN SIGNAL DIODE BRIDGE	VMG - VOLTMETER GAUGE
ESS - ECU SELECTOR SWITCH	WS - WATER SOLENOID VALVE
HRWTS - HIGH RAW WATER TEMPERATURE SENSOR	WT - WATER TEMPERATURE N. D. SW 205°F
LFAB - LOW FLOW/TEMP ALARM BOARD	
LDPVS - LOW DIL PRESSURE VERIFY SWITCH	

### COLOR CODE

A - WHITE	G - BLUE
B - RED	I - PINK
C - DRANGE	J - BLACK
D - YELLOW	K - BROWN
E - GREEN	L - GRAY
F - GREEN	M - PURPLE
G - BLUE	



- NOTES:**
- SOME MODELS HAVE A STARTER THAT IS INTERNALLY GROUNDED; FOR THOSE THE BATTERY NEGATIVE CABLE (GRD) SHOULD BE ATTACHED TO THE ENGINE BLOCK (ALL PAINT SHOULD BE REMOVED TO BARE METAL)
  - ONLY ON 4045 PTE ENGINES
  - NOT ON 6090 PTE ENGINES
  - SOME MODELS HAVE A STARTER THAT IS INTERNALLY GROUNDED; FOR THOSE THE BATTERY NEGATIVE CABLE (GND) SHOULD BE ATTACHED TO THE ENGINE BLOCK (ALL PAINT SHOULD BE REMOVED TO BARE METAL)

**CONTROLLED DRAWING**

THIS IS A REGISTERED PART WITH A THIRD PARTY AGENCY FOR USE ON A PRODUCT. NO SUBSTITUTIONS ARE ALLOWED. CONSULT ENGINEERING PRIOR TO AND REGARDING ANY CHANGE.

1	2	3	4	5	6	6	8	8	8	9	10	11A	11B	301	302	303	304	310	311	312
---	---	---	---	---	---	---	---	---	---	---	----	-----	-----	-----	-----	-----	-----	-----	-----	-----

FOR ENGINES BUILT AFTER MARCH 2015

THIS DRAWING AND THE INFORMATION HEREON ARE OUR PROPERTY AND MAINLY AS AUTHORIZED BY US. UNPUBLISHED RIGHTS RESERVED UNDER THE COPYRIGHT LAWS.

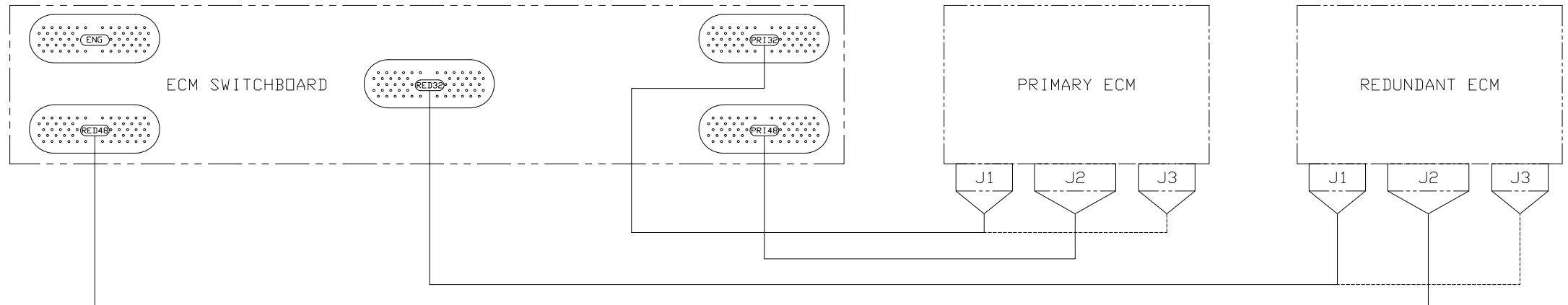
**CLARKE**  
Fire Protection Products, Inc.

UNLESS OTHERWISE SPECIFIED TOLERANCES ARE:  
 DECIMAL .5% IN  
 FRACTIONAL .005 IN  
 ANGULAR ±.5°

CONTROLLED DRAWING

DATE: 30JAN15  
 ENGR: MJDEMBKOWSKI  
 MATERIAL: \_\_\_\_\_

DRAWN: MJDEMBKOWSKI  
 NAME: \_\_\_\_\_  
 PART NO: C072146  
 SCALE: NTS  
 UNITS: MM [INCH]  
 PAGE 1 OF 1



REV	DESCRIPTION	ECN#	DWN	APVD	DATE
A	ISSUED DRAWING	572	KJK		02NOV08
B	CORRECTED ECM CONNECTION - WIRE#5023 (ZONE B8); REVISED ENGINE HARNESS P/N CHART	1612	MJD		06APR09
C	PRI48 & RED48 TO ECU J2; WIRE 5473 WAS "STOP ENGINE LAMP". ADDED WIRE 7919. UPDATED CLARKE ENGINE MODELS AND ADDED ECM PART NUMBERS AND LEVELS.	2134	MJD	MJD	05AUG11
D	PRI48 & RED48 TO ECU J2; REVISED DESCRIPTION AND PINDUT OF SWITCHBOARD CONNECTION OF WIRE 5439. DELETED WIRE 7101. ADDED SPLICE DETAIL	2992	MJD	MJD	12NOV13
-	ADDED CNTRLD DWG NOTE, BOX WAS MARKED *ND*	6309	MAL	MJD	03MAY21

PRI32 & RED32 TO ECU J1 & J3

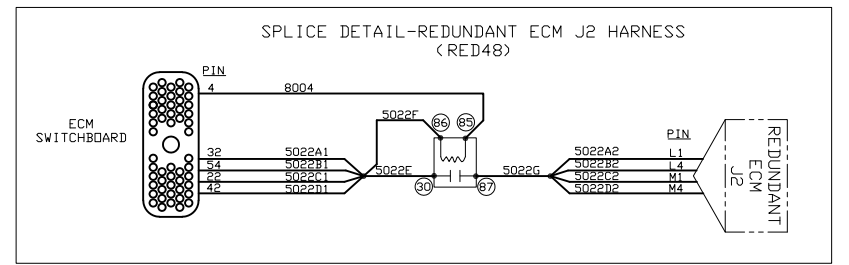
PRI48 & RED48 TO ECU J2

WIRE NUMBER	WIRE COLOR	ECM CONNECTION - J1 (PRIMARY & ALTERNATE)	SWITCHBOARD CONNECTION (PRI32 & RED32)	DESCRIPTION
5497	Purple	J1-A1		7 Injector Low 5 (cyl 4)
5497	Purple	J1-A3		17 Oil Pressure
5445	Dk Green	J1-A4		14 Cam Speed
5494	Yellow	J1-B1		8 Injector Low 4 (cyl 2)
5453	Orange	J1-B2		36 Water-In-Fuel
5469	White	J1-B3		38 Fuel Pressure
5447	Purple	J1-B4		3 Crank Speed
5499	White	J1-C1		18 Injector Low 3 (cyl 6)
5463	Orange	J1-C2		25 Manifold Air Pressure
5023	Dk Green	J1-C3		52 Manifold Air Pressure
5461	Brown	J1-C4		4 Coolant Temperature
5495	Dk Green	J1-D1		9 Injector Low 2 (cyl 3)
5414	Yellow	Spliced together in J1-D2		6 Sensor Return 2
5444	Yellow	J1-D3		29 Excitation Voltage 1
5448	Gray	J1-D4		35 Crank Speed Return
5498	Orange	J1-E1		31 Injector Low 0 (cyl 1)
5427	Purple	J1-E2		26 Sensor Return 1
5475	Dk Green	J1-E3		1 Rail Pressure
5443	Orange	J1-E4		43 Cam Speed Return
5498	Gray	J1-F1		10 Injector Low 1 (cyl 5)
5410	Black	J1-F2		51 Shield Drain
5419	White	Spliced together in J1-F3		47 Excitation Voltage 2
5428	Gray	J1-F4		5 Fuel Temperature
5491	Brown	J1-G1		54 Inject High 0.1.2
5496	Lt Blue	J1-G2		21 Inject High 3.4.5
5424	Yellow	J1-H1		12 High Pressure Fuel Pump High Solenoid
5419	White	J1-H2		53 High Pressure Fuel Pump Low Solenoid

WIRE NUMBER	WIRE COLOR	ECM CONNECTION - J1 (PRIMARY & ALTERNATE)	SWITCHBOARD CONNECTION (PRI32 & RED32)	DESCRIPTION
5497	Purple	J1-A1		7 Injector Low 5 (cyl 4)
5494	Yellow	J1-B1		8 Injector Low 4 (cyl 2)
5417	Purple	J1-B3		28 Turbo Speed In Low
5435	Dk Green	J1-B4		50 Turbo Speed In High
5499	White	J1-C1		18 Injector Low 3 (cyl 6)
5458	Gray	J1-C3		23 Low Pressure Fuel Pump Current Out
5495	Dk Green	J1-D1		9 Injector Low 2 (cyl 3)
5457	Purple	J1-D2		24 Low Pressure Fuel Pump Speed CMD
5410	Black	J1-D3		51 Shield Drain
5486	Lt Blue	J1-D4		39 Source Dv6 LPPF Power On
5493	Orange	J1-E1		31 Injector Low 0 (cyl 1)
5434	Yellow	J1-E2		48 Low Pressure Fuel Pump Status
5498	Gray	J1-F1		10 Injector Low 1 (cyl 5)
5429	White	J1-F4		42 Source Dv10 Cold Start Aid
5491	Brown	J1-G1		54 Inject High 0.1.2
5492	Lt Blue	J1-G2		21 Inject High 3.4.5
5424	Yellow	J1-H1		12 High Pressure Fuel Pump High Solenoid
5419	White	J1-H2		53 High Pressure Fuel Pump Low Solenoid
5511	Brown	J1-A2		47 Excitation #5 +
5444	Yellow	J1-A3		6 Excitation #5 -
5428	Gray	J1-B1		5 Fuel Temperature
5474	Yellow	J1-B2		27 DeltaTemp Return
5475	Dk Green	J1-C1		1 Rail Pressure
5499	White	J1-C2		38 Fuel Pressure
5497	Purple	J1-C3		17 Oil Pressure
5453	Orange	J1-D2		36 Water-In-Fuel
5461	Brown	J1-D3		4 Coolant Temperature
5023	Orange	J1-D4		52 Rail Pressure
5456	Lt Blue	J1-F1		44 EGR Mixed Temperature
5448	Gray	J1-F3		35 Crank Speed Return
5447	Purple	J1-F4		3 Crank Speed
5946	Lt Blue	J1-G1		29 Excitation Voltage 1
5427	Purple	J1-G2		26 Sensor Return 1
5443	Orange	J1-G3		43 Cam Speed Return
5440	Dk Green	J1-G4		14 Cam Speed
5414	Yellow	J1-H3		13 Sensor Return 2
5416	Lt Blue	J1-H4		33 Excitation Voltage 2

WIRE NUMBER	WIRE COLOR	ECM CONNECTION - J1 (PRIMARY & ALTERNATE)	SWITCHBOARD CONNECTION (PRI32 & RED32)	DESCRIPTION
5497	Purple	J1-A1		7 Injector Low 5 (cyl 4)
5494	Yellow	J1-B1		8 Injector Low 4 (cyl 2)
5417	Purple	J1-B3		28 Turbo Speed In Low
5435	Dk Green	J1-B4		50 Turbo Speed In High
5499	White	J1-C1		18 Injector Low 3 (cyl 6)
5503	Brown	J1-C4		52 H-Bridge 3 +
5495	Dk Green	J1-D1		9 Injector Low 2 (cyl 3)
5457	Purple	J1-D2		24 Low Pressure Fuel Pump Speed CMD
5410	Black	J1-D3		51 Shield drain
5486	Orange	J1-D4		39 H-Bridge 3 -
5493	Orange	J1-E1		10 Injector Low 1 (cyl 5)
5498	Gray	J1-F1		10 Injector Low 1 (cyl 5)
5491	Brown	J1-G1		54 Inject High 0.1.2
5496	Lt Blue	J1-G2		21 Inject High 3.4.5
5421	Brown	J1-G3		41 EGR Valve High Driver
5423	Orange	J1-G4		11 EGR Valve Low Driver
5449B	White	J1-H3		Spliced together then go to pin 22 VGT power
5449A	White	J1-H4		Spliced together then go to pin 22 VGT power
5511	Brown	J1-A2		47 Excitation #5 +
5444	Yellow	J1-A3		6 Excitation #5 -
5428	Gray	J1-B1		5 Fuel Temperature
5474	Yellow	J1-B2		27 DeltaTemp Return
5475	Dk Green	J1-C1		1 Rail Pressure
5499	White	J1-C2		38 Fuel Pressure
5497	Purple	J1-C3		17 Oil Pressure
5453	Orange	J1-D2		48 EGR Valve Position #1
5428	Gray	J1-D3		5 Fuel Temperature
5474	Yellow	J1-D4		27 DeltaTemp Return
5453	Orange	J1-E2		24 EGR Valve Position #2
5469	White	J1-E3		38 Fuel Pressure
5467	Purple	J1-E4		17 Oil Pressure
5468	Gray	J1-F1		37 Manifold Air Pressure
5516	Lt Blue	J1-F2		16 Compressor Inlet Temp
5453	Orange	J1-F3		36 Water-In-Fuel
5461	Brown	J1-F4		4 Coolant Temperature
5463	Orange	J1-E2		25 EGR Exhaust Temperature
5433	Orange	J1-E4		45 VGT Communications
5456	Lt Blue	J1-F1		44 EGR Mixed Temperature
5455	Dk Green	J1-F2		15 EGR Fresh Air Temperature
5448	Gray	J1-F3		35 Crank Speed Return
5447	Purple	J1-F4		3 Crank Speed
5443	Orange	J1-G3		43 Cam Speed Return
5445	Dk Green	J1-G4		14 Cam Speed
5414	Yellow	J1-H3		13 Sensor Return 2
5416	Lt Blue	J1-H4		33 Excitation Voltage 2

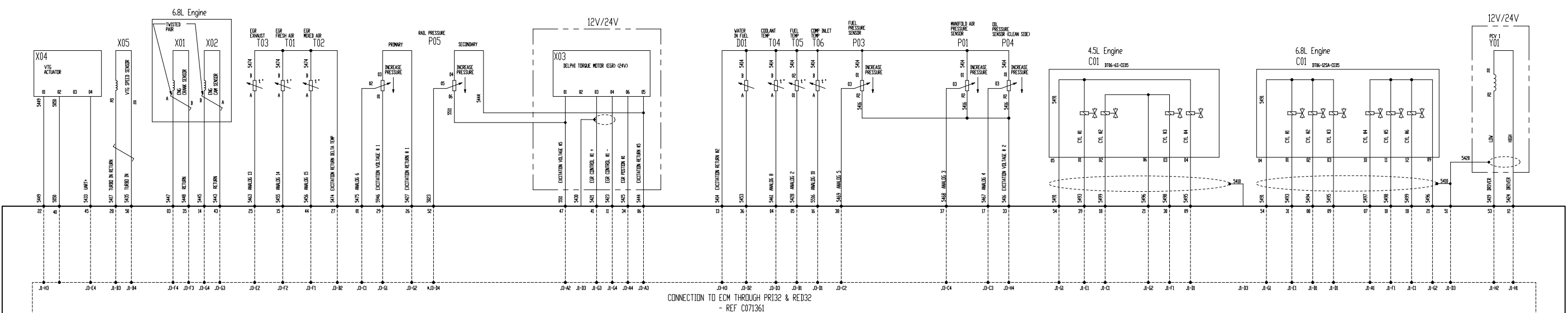
WIRE NUMBER	WIRE COLOR	ECM CONNECTION - J2 (PRIMARY & REDUNDANT)	SWITCHBOARD CONNECTION (PRI48 & RED48)	DESCRIPTION
5904	Yellow	J2-A1		13 SAE J1939 High
5616	Lt Blue	J2-A3		33 Excitation #3 +
5905	Dk Green	J2-B1		1 SAE J1939 Low
5012	Red	J2-B2		23 Switched Battery(Key Switch)
5916	Lt Blue	J2-C1		50 Warning Lamp
7005	Lt Blue	J2-C2		8 High Coolant Temperature Alarm
5814	Yellow	J2-C3		24 Excitation 3
7102	White	J2-C4		44 Analog 26 - Discharge Pressure Transducer
5439	White	J2-D1		34 ECM Heartbeat
5473	Orange	J2-D2		51 Low Coolant Temperature Alarm
5436	Lt Blue	J2-D3		37 Analog 12 Air Filter Restriction Switch
5955	Dk Green	J2-D4		26 Bump Up
5943	Orange	J2-E1		20 Switch In 2 - Full Throttle - Grounded
5918	Gray	J2-E3		45 Overide Shutdown
5923	Orange	J2-E4		16 Bump Enable
5906	Lt Blue	J2-F1		27 Bump Down
5954	Yellow	J2-F2		40 Switch In 1 - Full Throttle - Grounded
7103	Dk Green	J2-F4		43 Analog 21 - Suction Pressure Transducer
5948	Gray	J2-G4		47 Analog 23 - Loss of coolant switch
5939	White	J2-I1		17 Switch In 3 - Overspeed Verify Enable Input
7919	Brown	J2-I2		10 Low Coolant Temperature Test Switch Input
7002	Brown	J2-J1		38 1000 rpm (Source Dvr 1)
5941	Brown	J2-K1		36 External Shutdown
5020	Black	J2-K2		5 CAN Shield
7003	Lt Blue	J2-K4		29 Source Dvr2 - Overspeed Alarm
5022A	Red	J2-L1		32 Unswitched Battery
5050A	Black	J2-L2		11 System Ground
5050B	Black	J2-L3		31 System Ground
5022B	Red	J2-L4		54 Unswitched Battery
5022C	Red	J2-M1		22 Unswitched Battery
5050C	Black	J2-M2		53 System Ground
7004	Orange	J2-M3		18 Source Dvr3 - Low Oil Pressure Alarm
5022D	Red	J2-M4		42 Unswitched Battery



WIRE NUMBER	WIRE COLOR	ECM CONNECTION - J1 (PRIMARY & ALTERNATE)	SWITCHBOARD CONNECTION (PRI32 & RED32)	DESCRIPTION
5497	Purple	J1-A1		7 Injector Low 5 (cyl 4)
5494	Yellow	J1-B1		8 Injector Low 4 (cyl 2)
5417	Purple	J1-B3		28 Turbo Speed In Low
5435	Dk Green	J1-B4		50 Turbo Speed In High
5499	White	J1-C1		18 Injector Low 3 (cyl 6)
5458	Gray	J1-C3		23 Low Pressure Fuel Pump Current Out
5495	Dk Green	J1-D1		9 Injector Low 2 (cyl 3)
5457	Purple	J1-D2		24 Low Pressure Fuel Pump Speed CMD
5410	Black	J1-D3		51 Shield Drain
5486	Lt Blue	J1-D4		39 Source Dv6 LPPF Power On
5493	Orange	J1-E1		31 Injector Low 0 (cyl 1)
5434	Yellow	J1-E2		48 Low Pressure Fuel Pump Status
5498	Gray	J1-F1		10 Injector Low 1 (cyl 5)
5429	White	J1-F4		42 Source Dv10 Cold Start Aid
5491	Brown	J1-G1		54 Inject High 0.1.2
5492	Lt Blue	J1-G2		21 Inject High 3.4.5
5421	Brown	J1-G3		41 EGR Valve High Driver
5423	Orange	J1-G4		11 EGR Valve Low Driver
5424	Yellow	J1-H1		12 High Pressure Fuel Pump High Solenoid
5419	White	J1-H2		53 High Pressure Fuel Pump Low Solenoid
5449B	White	J1-H3		Spliced together then go to pin 22 VGT power
5449A	White	J1-H4		Spliced together then go to pin 22 VGT power
5511	Brown	J1-A2		47 Excitation #5 +
5444	Yellow	J1-A3		6 Excitation #5 -
5428	Gray	J1-B1		5 Fuel Temperature
5474	Yellow	J1-B2		27 DeltaTemp Return
5475	Dk Green	J1-C1		1 Rail Pressure
5499	White	J1-C2		38 Fuel Pressure
5497	Purple	J1-C3		17 Oil Pressure
5453	Orange	J1-D2		48 EGR Valve Position
5428	Gray	J1-D3		5 Fuel Temperature
5474	Yellow	J1-D4		27 DeltaTemp Return
5453	Orange	J1-E2		24 EGR Valve Position
5469	White	J1-E3		38 Fuel Pressure
5467	Purple	J1-E4		17 Oil Pressure
5468	Gray	J1-F1		37 Manifold Air Pressure
5516	Lt Blue	J1-F2		16 Compressor Inlet Temp
5453	Orange	J1-F3		36 Water-In-Fuel
5461	Brown	J1-F4		4 Coolant Temperature
5023	Orange	J1-D4		52 Rail Pressure
5456	Lt Blue	J1-F1		44 EGR Exhaust Temperature
5448	Gray	J1-F3		45 VGT Communications
5456	Lt Blue	J1-F1		44 EGR Mixed Temperature
5455	Dk Green	J1-F2		15 EGR Fresh Air Temperature
5448	Gray	J1-F3		35 Crank Speed Return
5447	Purple	J1-F4		3 Crank Speed
5946	Lt Blue	J1-G1		29 Excitation Voltage 1
5427	Purple	J1-G2		26 Sensor Return 1
5443	Orange	J1-G3		43 Cam Speed Return
5445	Dk Green	J1-G4		14 Cam Speed
5414	Yellow	J1-H3		13 Sensor Return 2
5416	Lt Blue	J1-H4		33 Excitation Voltage 2

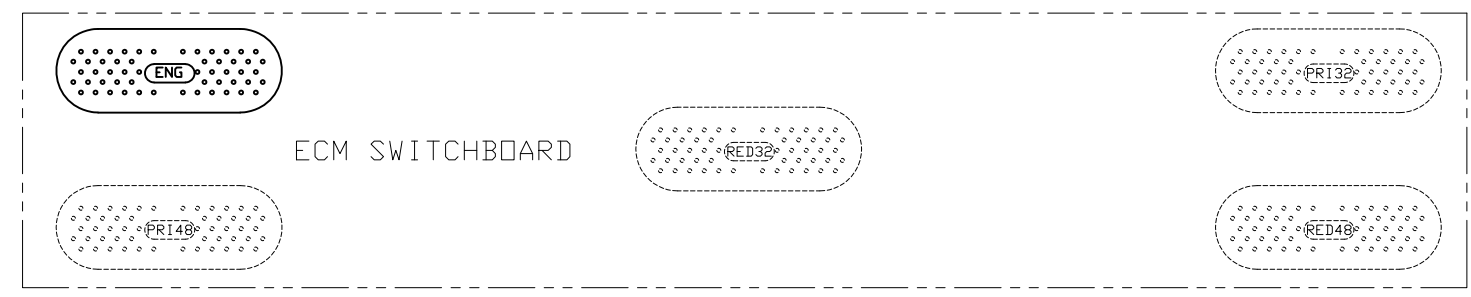
WIRE NUMBER	WIRE COLOR	ECM CONNECTION - J1 (PRIMARY & ALTERNATE)	SWITCHBOARD CONNECTION (PRI32 & RED32)	DESCRIPTION
5497	Purple	J1-A1		7 Injector Low 5 (cyl 4)
5494	Yellow	J1-B1		8 Injector Low 4 (cyl 2)
5417	Purple	J1-B3		28 Turbo Speed In Low
5435	Dk Green	J1-B4		50 Turbo Speed In High
5499	White	J1-C1		18 Injector Low 3 (cyl 6)
5458	Gray	J1-C3		23 Low Pressure Fuel Pump Current Out
5495	Dk Green	J1-D1		9 Injector Low 2 (cyl 3)
5457	Purple	J1-D2		24 Low Pressure Fuel Pump Speed CMD
5410	Black	J1-D3		51 Shield Drain
5486	Lt Blue	J1-D4		39 Source Dv6 LPPF Power On
5493	Orange	J1-E1		31 Injector Low 0 (cyl 1)
5434	Yellow	J1-E2		48 Low Pressure Fuel Pump Status
5498	Gray	J1-F1		10 Injector Low 1 (cyl 5)
5429	White	J1-F4		42 Source Dv10 Cold Start Aid
5491	Brown	J1-G1		54 Inject High 0.1.2
5492	Lt Blue	J1-G2		21 Inject High 3.4.5
5421	Brown	J1-G3		41 EGR Valve High Driver
5423	Orange	J1-G4		11 EGR Valve Low Driver
5424	Yellow	J1-H1		12 High Pressure Fuel Pump High Solenoid
5419	White	J1-H2		53 High Pressure Fuel Pump Low Solenoid
5449B	White	J1-H3		Spliced together then go to pin 22 VGT power
5449A	White	J1-H4		Spliced together then go to pin 22 VGT power
5511	Brown	J1-A2		47 Excitation #5 +
5444	Yellow	J1-A3		6 Excitation #5 -
5428	Gray	J1-B1		5 Fuel Temperature
5474	Yellow	J1-B2		27 DeltaTemp Return
5475	Dk Green	J1-C1		1 Rail Pressure
5499	White	J1-C2		38 Fuel Pressure
5497	Purple	J1-C3		17 Oil Pressure
5453	Orange	J1-D2		48 EGR Valve Position
5428	Gray	J1-D3		5 Fuel Temperature
5474	Yellow	J1-D4		27 DeltaTemp Return
5453	Orange	J1-E2		24 EGR Valve Position
5469	White	J1-E3		38 Fuel Pressure
5467	Purple	J1-E4		17 Oil Pressure
5468	Gray	J1-F1		37 Manifold Air Pressure
5516	Lt Blue	J1-F2		16 Compressor Inlet Temp
5453	Orange	J1-F3		36 Water-In-Fuel
5461	Brown	J1-F4		4 Coolant Temperature
5023	Orange	J1-D4		52 Rail Pressure
5456	Lt Blue	J1-F1		44 EGR Exhaust Temperature
5448	Gray	J1-F3		45 VGT Communications
5456	Lt Blue	J1-F1		44 EGR Mixed Temperature
5455	Dk Green	J1-F2		15 EGR Fresh Air Temperature
5448	Gray	J1-F3		35 Crank Speed Return
5447	Purple	J1-F4		3 Crank Speed
5946	Lt Blue	J1-G1		29 Excitation Voltage 1
5				

REV	DESCRIPTION	ECNH	DWN	APVD	DATE
A	ISSUED DRAWING	572	KJK		02NDV08
B	(*)PIN-OUT WAS J3-E1 (ZONE E-6)	1612	MJD	KJK	19MAR09
-	ADDED CNTRLD DWG NOTE, BOX WAS MARKED *ND*	6309	MAL	MJD	04MAY21



CONNECTION TO ECM THROUGH PRI32 & RED32  
- REF C071361

ENG - SWITCHBOARD CONNECTION - 6068PTP



**REFERENCE DEERE WIRING DIAGRAM**

MODEL RL    MODEL REV Changing    A. 5 DRW RL    DRW REV Changing    A. 5 SOURCING    OPEN    X CLOSED		MATERIAL DRAWING: DRAWING:		ORIGINAL ERIC J. SCHMADEKE ORIGINATION DATE 2007-11-27 JDS-G113		REFERENCES METRIC DRAWING SCALE SIZE F CASE CODE	
THIS DRAWING AND THE INFORMATION HEREIN ARE OUR PROPERTY AND MAY BE USED AS AUTHORIZED BY DEERE & COMPANY UNPUBLISHED - ALL RIGHTS RESERVED UNDER THE COPYRIGHT LAWS.				NAME DIAGRAM, SCHEMATIC L14, 6.8L PTP (CLARKE)		SUBMITTING UNIT JD90 SHEET 1/1 REVISION A	
VERSION RG		PART NUMBER RE537589		SCALE NTS		UNITS MM [ INCH ]	

**CONTROLLED DRAWING**

THIS IS A REGISTERED PART WITH A THIRD PARTY AGENCY FOR USE ON A PRODUCT. NO SUBSTITUTIONS ARE ALLOWED. CONSULT ENGINEERING PRIOR TO AND REGARDING ANY CHANGE.

THIS DRAWING AND THE INFORMATION HEREIN ARE OUR PROPERTY AND MAY BE USED BY OTHERS ONLY AS AUTHORIZED BY US. UNPUBLISHED - ALL RIGHTS RESERVED UNDER THE COPYRIGHT LAWS.		<input checked="" type="checkbox"/> YES <input type="checkbox"/> NO <b>CONTROLLED DRAWING</b>		<b>CLARKE</b> Fire Protection Products, Inc.	
DRWN NAME DATE DDMMYY ENGR ENGINEER MATERIAL		NAME <b>WIRING DIAGRAM, 6068PTP TIER 3 ENG CONNECTION</b> PART NO. <b>C071368</b>		REV <b>B</b>	
UNLESS OTHERWISE SPECIFIED TOLERANCES ARE: DECIMAL    MM    IN .X    ±1.5    ±0.06 .XX    ±0.25    ±0.03 .XXX    ±0.25    ±0.01 FRACTIONAL    ±1/32 ANGULAR    ± 5° SIMILAR TO		USED ON / LAYOUT PART NO.		SCALE NTS UNITS MM [ INCH ]	
		PAGE 1		OF 1	