

8 7 6 5 4 3

REV	DESCRIPTION	ECN#	DWN	APVD	DATE
H	SCBB WAS A DIODE BRIDGE, ADDED INLINE DIODE TO 774A. ADDED WIRES 701C AND 703A. DELETED WIRE 774. ADDED SPLICE JUNCTION TO WIRE 703.	2121	MJD	MJD	17DEC10
J	ADDED WIRE 702A AND CDD.	2121	MJD	MJD	02MAY11
K	AVS BECAME TVS. ADDED LOPVS. ADDED WIRE 754F TO OVR5 & LOPVS. MOVED WIRE 917 FROM AVS TO LOPVS. ADDED WIRE 919 TO TVS AND PIN 10 OF 10 PIN CONNECTOR. ADDED WIRE 312.	2134	MJD	MJD	05AUG11

INSTRUMENT PANEL

NOTE: SEE C071361 FOR ECU CONNECTION DIAGRAM

LEGEND

- AB - ALTERNATOR BRIDGE
- AL - ALTERNATOR
- AM - AUTOMATIC MODE POSITION
- B1 - BATTERY #1
- B2 - BATTERY #2
- BB1 - BATTERY BRIDGE #1
- BB2 - BATTERY BRIDGE #2
- BES - BUMP ENABLE SWITCH
- BSS - SPEED BUMP SWITCH
- B1 - BATTERY ISOLATOR
- CS1 - CRANK (MANUAL) SWITCH - BATT#1
- CS2 - CRANK (MANUAL) SWITCH - BATT#2
- CB - COOLANT BRIDGE
- CDD - CRANK DISCONNECT DIODE
- DIA - DIAGNOSTIC GAUGE
- DIGB - DIAGNOSTIC GAUGE DIODE BRIDGE
- DIGDS - DIAGNOSTIC GAUGE DISPLAY SWITCH
- EBL - ALTERNATE ECU INDICATING LAMP
- ERSDB - ENGINE RUN SIGNAL DIODE BRIDGE
- ESS - ECU SELECTOR SWITCH
- LOPVS - LOW OIL PRESSURE VERIFY SWITCH
- MDS - MODE SELECTOR SWITCH
- MM - MANUAL MODE POSITION
- MML - MANUAL MODE INDICATING LAMP
- MP - MAGNETIC PICK-UP
- MSS - MANUAL STOP SWITCH
- DCB - OVER-CURRENT BREAKER
- OVR5 - OVERSPEED VERIFY @ 67% / RESET SWITCH
- SC1 - STARTER CONTACTOR BATT#1
- SC2 - STARTER CONTACTOR BATT#2
- SCB - SOLENOID CONTROL BOARD
- SCBB - SOLENOID CONTROL BOARD DIODE
- ST - STARTER
- TCS - TEMPERATURE CONTROL SOLENOID
- THR - SCB THERMISTOR (COMPRESSOR INLET)
- TVS - TEMPERATURE ALARM VERIFY SWITCH
- VBS - BATTERY VOLTAGE SELECTOR
- VMG - VOLTMETER GAUGE
- WS - WATER SOLENOID VALVE
- WT - WATER TEMPERATURE N.D. SW 205°F

COLOR CODE

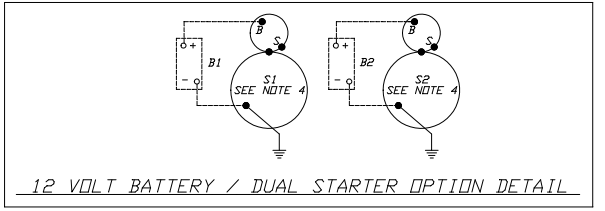
- A - WHITE
- B - RED
- C - ORANGE
- D - YELLOW
- E - GREEN
- F - GREEN
- G - BLUE
- G - BLUE
- I - PINK
- J - BLACK
- K - BROWN
- L - GRAY
- M - PURPLE

DUAL ECU SWITCHBOARD

SWITCH PLATE

PANEL DOOR

ENGINE



DIAGNOSTIC CONNECTOR

POWER HARNESS CONNECTOR

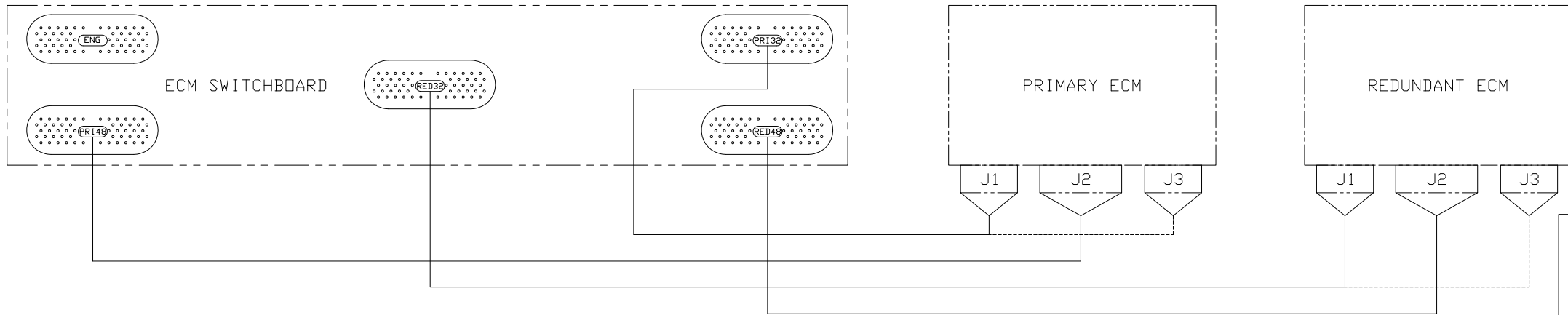
FIRE PUMP CONTROLLER INTER-CONNECT

- NOTES:
- 1) SOME MODELS HAVE A STARTER THAT IS INTERNALLY GROUNDED; FOR THOSE THE BATTERY NEGATIVE CABLE (GRD) SHOULD BE ATTACHED TO THE ENGINE BLOCK (ALL PAINT SHOULD BE REMOVED TO BARE METAL)
 - 2) ONLY ON 4045 PTE ENGINES
 - 3) NOT ON 6090 PTE ENGINES
 - 4) SOME MODELS HAVE A STARTER THAT IS INTERNALLY GROUNDED; FOR THOSE THE BATTERY NEGATIVE CABLE (GND) SHOULD BE ATTACHED TO THE ENGINE BLOCK (ALL PAINT SHOULD BE REMOVED TO BARE METAL)

FOR ENGINES BUILT AFTER OCTOBER, 2011

THIS DRAWING AND THE INFORMATION HEREIN ARE OUR PROPERTY AND MAY BE USED BY OTHERS ONLY AS AUTHORIZED BY US. UNPUBLISHED--ALL RIGHTS RESERVED UNDER THE COPYRIGHT LAWS.		CLARKE Fire Protection Products, Inc.	
UNLESS OTHERWISE SPECIFIED TOLERANCES ARE: DECIMAL .XX IN ±.0008 FRACTIONAL ±1/32 ANGULAR ±.5° SIMILAR TO	<input checked="" type="checkbox"/> YES <input type="checkbox"/> NO CONTROLLED DRAWING	DRWN MUJEMBKOWSKI DATE 01APR09 ENGR KJKUNKLER	NAME WIRING DIAGRAM, TIER 3 ELECTRONIC ENGINES
MATERIAL	PART NO. C071360	SCALE NTS	UNITS MM [INCH]
USED ON / LAYOUT PART NO.	SCALE	PAGE 1	OF 1

8 7 6 5 4 3



REV	DESCRIPTION	ECN#	DWN	APVD	DATE
A	ISSUED DRAWING	572	KJK		02NOV08
B	CORRECTED ECM CONNECTION - WIRE#5023 (ZONE B8); REVISED ENGINE HARNESS P/N CHART	1612	MJD		06APR09
C	PRI48 & RED48 TO ECU J2; WIRE 5473 WAS 'STOP ENGINE LAMP', ADDED WIRE 7919. UPDATED CLARKE ENGINE MODELS AND ADDED ECM PART NUMBERS AND LEVELS.	2134	MJD	MJD	05AUG11

PRI48 & RED48 TO ECU J2

WIRE NUMBER	WIRE COLOR	ECM CONNECTION - J2 (PRIMARY & ALTERNATE)	SWITCHBOARD CONNECTION (PRI48 & RED48)	DESCRIPTION
5904	Yellow	J2-A1	J2-A1	13/SAE J1939 High
5616	Li Blue	J2-A3	J2-A3	33/Excitation #3 +
5905	Dk Green	J2-B1	J2-B1	1/SAE J1939 Low
5012	Red	J2-B2	J2-B2	23/Switched Battery(Key Switch)
5918	Li Blue	J2-C1	J2-C1	50/Warning Lamp
7005	Li Blue	J2-C2	J2-C2	8/High Coolant Temperature Alarm
5814	Yellow	J2-C3	J2-C3	24/Excitation 3 -
7102	White	J2-C4	J2-C4	44/Analog 26 - Discharge Pressure Transducer
5439	White	J2-D1	J2-D1	4/Tachometer PWM
5473	Orange	J2-D2	J2-D2	51/Low Coolant Temperature Alarm
5438	Li Blue	J2-D3	J2-D3	37/Analog 12 Air Filter Restriction Switch
5955	Dk Green	J2-D4	J2-D4	26/Bump Up
5943	Orange	J2-E1	J2-E1	20/Switch in 2 - Full Throttle - Grounded
5918	Gray	J2-E2	J2-E2	46/Override Shutdown
5923	Orange	J2-E3	J2-E3	16/Bump Enable
5938	Li Blue	J2-F1	J2-F1	27/Bump Down
5954	Yellow	J2-F2	J2-F2	40/Switch in 1 - Full Throttle - Grounded
7103	Dk Green	J2-F4	J2-F4	43/Analog 21 - Suction Pressure Transducer
5948	Gray	J2-G4	J2-G4	47/Analog 23 - Loss of coolant switch
7101	Gray	J2-H1	J2-H1	34/Frequency 1 - PWM Throttle Input
5939	White	J2-J1	J2-J1	17/Switch in 3 - Overspeed Vary Enable Input
7919	Brown	J2-J2	J2-J2	10/Low Coolant Temperature Test Switch Input
7002	Brown	J2-J4	J2-J4	38/1000 rpm (Source Dnr 1)
5941	Brown	J2-K1	J2-K1	36/External Shutdown
5020	Black	J2-K2	J2-K2	5/CAN Shield
7003	Li Blue	J2-L1	J2-L1	29/Source Dnr 2 - Overspeed Alarm
5022A	Red	J2-L2	J2-L2	32/Unswitched Battery
5050A	Black	J2-L2	J2-L2	11/System Ground
5050B	Black	J2-L3	J2-L3	31/System Ground
5022B	Red	J2-L4	J2-L4	54/Unswitched Battery
5022C	Red	J2-M1	J2-M1	22/Unswitched Battery
5050C	Black	J2-M2	J2-M2	53/System Ground
7004	Orange	J2-M3	J2-M3	18/Source Dnr 3 - Low Oil Pressure Alarm
5022D	Red	J2-M4	J2-M4	42/Unswitched Battery

PRI32 & RED32 TO ECU J1 & J3

6068PTE

WIRE NUMBER	WIRE COLOR	ECM CONNECTION - J1 (PRIMARY & ALTERNATE)	SWITCHBOARD CONNECTION (PRI32 & RED32)	DESCRIPTION
5497	Purple	J1-A1	J1-A1	7/Injector Low 5 (cyl 4)
5497	Purple	J1-A3	J1-A3	17/Oil Pressure
5445	Dk Green	J1-A4	J1-A4	14/Cam Speed
5494	Yellow	J1-B1	J1-B1	8/Injector Low 4 (cyl 2)
5453	Orange	J1-B2	J1-B2	36/Water-In-Fuel
5469	White	J1-B3	J1-B3	38/Fuel Pressure
5447	Purple	J1-B4	J1-B4	3/Crank Speed
5499	White	J1-C1	J1-C1	18/Injector Low 3 (cyl 6)
5463	Orange	J1-C2	J1-C2	23/Low Pressure Fuel Pump Current Out
5023	Dk Green	J1-C3	J1-C3	52/Manifold Air Pressure
5461	Brown	J1-C4	J1-C4	4/Coolant Temperature
5495	Dk Green	J1-D1	J1-D1	9/Injector Low 2 (cyl 3)
5414	Yellow	J1-D2	J1-D2	51/Shield Drain
5946	Li Blue	J1-D3	J1-D3	29/Excitation Voltage 1
5448	Gray	J1-D4	J1-D4	35/Crank Speed Return
5493	Orange	J1-E1	J1-E1	31/Injector Low 0 (cyl 1)
5427	Purple	J1-E2	J1-E2	26/Sensor Return 1
5475	Dk Green	J1-E3	J1-E3	1/Rail Pressure
5443	Orange	J1-E4	J1-E4	43/Cam Speed Return
5498	Gray	J1-F1	J1-F1	10/Injector Low 1 (cyl 5)
5410	Black	J1-F2	J1-F2	51/Shield Drain
5416	Li Blue	J1-F3	J1-F3	21/Inject High 3.4.5
5511	Brown	J1-F4	J1-F4	47/Excitation Voltage 2
5428	Gray	J1-F4	J1-F4	5/Fuel Temperature
5491	Brown	J1-G1	J1-G1	54/Inject High 0.1.2
5496	Li Blue	J1-G2	J1-G2	41/EGR Valve High Driver
5424	Yellow	J1-H1	J1-H1	12/High Pressure Fuel Pump High Solenoid
5419	White	J1-H2	J1-H2	53/High Pressure Fuel Pump Low Solenoid
5511	Brown	J1-A2	J1-A2	47/Excitation #5 +
5444	Yellow	J1-A3	J1-A3	6/Excitation #5 -
5428	Gray	J1-B1	J1-B1	5/Fuel Temperature
5474	Yellow	J1-B2	J1-B2	27/DeltaTemp Return
5475	Dk Green	J1-C1	J1-C1	1/Rail Pressure
5469	White	J1-C2	J1-C2	38/Fuel Pressure
5497	Purple	J1-C3	J1-C3	17/Oil Pressure
5453	Orange	J1-D2	J1-D2	36/Water-In-Fuel
5461	Brown	J1-D3	J1-D3	4/Coolant Temperature
5023	Orange	J1-D4	J1-D4	52/Rail Pressure
5496	Li Blue	J1-F1	J1-F1	44/EGR Mixed Temperature
5448	Gray	J1-F3	J1-F3	35/Crank Speed Return
5447	Purple	J1-F4	J1-F4	3/Crank Speed
5946	Li Blue	J1-G1	J1-G1	29/Excitation Voltage 1
5427	Purple	J1-G2	J1-G2	26/Sensor Return 1
5443	Orange	J1-G3	J1-G3	43/Cam Speed Return
5445	Dk Green	J1-G4	J1-G4	14/Cam Speed
5414	Yellow	J1-H3	J1-H3	13/Sensor Return 2
5416	Li Blue	J1-H4	J1-H4	33/Excitation Voltage 2

6090PTE

WIRE NUMBER	WIRE COLOR	ECM CONNECTION - J1 (PRIMARY & ALTERNATE)	SWITCHBOARD CONNECTION (PRI32 & RED32)	DESCRIPTION
5497	Purple	J1-A1	J1-A1	7/Injector Low 5 (cyl 4)
5494	Yellow	J1-B1	J1-B1	8/Injector Low 4 (cyl 2)
5417	Purple	J1-B3	J1-B3	28/Turbo Speed In Low
5435	Dk Green	J1-B4	J1-B4	50/Turbo Speed In High
5499	White	J1-C1	J1-C1	18/Injector Low 3 (cyl 6)
5458	Gray	J1-C3	J1-C3	23/Low Pressure Fuel Pump Current Out
5495	Dk Green	J1-D1	J1-D1	9/Injector Low 2 (cyl 3)
5457	Purple	J1-D2	J1-D2	24/Low Pressure Fuel Pump Speed CMD
5410	Black	J1-D3	J1-D3	51/Shield Drain
5486	Li Blue	J1-D4	J1-D4	39/Source Dnr 6 LPFP Power On
5493	Orange	J1-E1	J1-E1	31/Injector Low 0 (cyl 1)
5434	Yellow	J1-E2	J1-E2	48/Low Pressure Fuel Pump Status
5496	Gray	J1-F1	J1-F1	10/Injector Low 1 (cyl 5)
5429	White	J1-F4	J1-F4	42/Source Dnr 10 Cold Start Aid
5491	Brown	J1-G1	J1-G1	54/Inject High 0.1.2
5496	Li Blue	J1-G2	J1-G2	41/Inject High 3.4.5
5424	Yellow	J1-H1	J1-H1	12/High Pressure Fuel Pump High Solenoid
5419	White	J1-H2	J1-H2	53/High Pressure Fuel Pump Low Solenoid
5511	Brown	J1-A2	J1-A2	47/Excitation #5 +
5444	Yellow	J1-A3	J1-A3	6/Excitation #5 -
5428	Gray	J1-B1	J1-B1	5/Fuel Temperature
5474	Yellow	J1-B2	J1-B2	27/DeltaTemp Return
5475	Dk Green	J1-C1	J1-C1	1/Rail Pressure
5469	White	J1-C2	J1-C2	38/Fuel Pressure
5497	Purple	J1-C3	J1-C3	17/Oil Pressure
5453	Orange	J1-D2	J1-D2	36/Water-In-Fuel
5461	Brown	J1-D3	J1-D3	4/Coolant Temperature
5023	Orange	J1-D4	J1-D4	52/Rail Pressure
5496	Li Blue	J1-F1	J1-F1	44/EGR Mixed Temperature
5448	Gray	J1-F3	J1-F3	35/Crank Speed Return
5447	Purple	J1-F4	J1-F4	3/Crank Speed
5946	Li Blue	J1-G1	J1-G1	29/Excitation Voltage 1
5427	Purple	J1-G2	J1-G2	26/Sensor Return 1
5443	Orange	J1-G3	J1-G3	43/Cam Speed Return
5445	Dk Green	J1-G4	J1-G4	14/Cam Speed
5414	Yellow	J1-H3	J1-H3	13/Sensor Return 2
5416	Li Blue	J1-H4	J1-H4	33/Excitation Voltage 2

6135PTP

WIRE NUMBER	WIRE COLOR	ECM CONNECTION - J1 (PRIMARY & ALTERNATE)	SWITCHBOARD CONNECTION (PRI32 & RED32)	DESCRIPTION
5497	Purple	J1-A1	J1-A1	7/Injector Low 5 (cyl 4)
5494	Yellow	J1-B1	J1-B1	8/Injector Low 4 (cyl 2)
5417	Purple	J1-B3	J1-B3	28/Turbo Speed In Low
5435	Dk Green	J1-B4	J1-B4	50/Turbo Speed In High
5499	White	J1-C1	J1-C1	18/Injector Low 3 (cyl 6)
5458	Gray	J1-C3	J1-C3	23/Low Pressure Fuel Pump Current Out
5495	Dk Green	J1-D1	J1-D1	9/Injector Low 2 (cyl 3)
5457	Purple	J1-D2	J1-D2	24/Low Pressure Fuel Pump Speed CMD
5410	Black	J1-D3	J1-D3	51/Shield Drain
5486	Li Blue	J1-D4	J1-D4	39/Source Dnr 6 LPFP Power On
5493	Orange	J1-E1	J1-E1	31/Injector Low 0 (cyl 1)
5434	Yellow	J1-E2	J1-E2	48/Low Pressure Fuel Pump Status
5496	Gray	J1-F1	J1-F1	10/Injector Low 1 (cyl 5)
5429	White	J1-F4	J1-F4	42/Source Dnr 10 Cold Start Aid
5491	Brown	J1-G1	J1-G1	54/Inject High 0.1.2
5496	Li Blue	J1-G2	J1-G2	41/EGR Valve High Driver
5424	Yellow	J1-H1	J1-H1	12/High Pressure Fuel Pump High Solenoid
5419	White	J1-H2	J1-H2	53/High Pressure Fuel Pump Low Solenoid
5511	Brown	J1-A2	J1-A2	47/Excitation #5 +
5444	Yellow	J1-A3	J1-A3	6/Excitation #5 -
5428	Gray	J1-B1	J1-B1	5/Fuel Temperature
5474	Yellow	J1-B2	J1-B2	27/DeltaTemp Return
5475	Dk Green	J1-C1	J1-C1	1/Rail Pressure
5469	White	J1-C2	J1-C2	38/Fuel Pressure
5497	Purple	J1-C3	J1-C3	17/Oil Pressure
5453	Orange	J1-D2	J1-D2	36/Water-In-Fuel
5461	Brown	J1-D3	J1-D3	4/Coolant Temperature
5023	Orange	J1-D4	J1-D4	52/Rail Pressure
5496	Li Blue	J1-F1	J1-F1	44/EGR Mixed Temperature
5448	Gray	J1-F3	J1-F3	35/Crank Speed Return
5447	Purple	J1-F4	J1-F4	3/Crank Speed
5946	Li Blue	J1-G1	J1-G1	29/Excitation Voltage 1
5427	Purple	J1-G2	J1-G2	26/Sensor Return 1
5443	Orange	J1-G3	J1-G3	43/Cam Speed Return
5445	Dk Green	J1-G4	J1-G4	14/Cam Speed
5414	Yellow	J1-H3	J1-H3	13/Sensor Return 2
5416	Li Blue	J1-H4	J1-H4	33/Excitation Voltage 2
5449B	White	J1-H3	J1-H3	Spliced together then go to pin 22 VTG power
5511	Brown	J1-A2	J1-A2	47/Excitation #5 +
5444	Yellow	J1-A3	J1-A3	6/Excitation #5 -
5428	Gray	J1-B1	J1-B1	5/Fuel Temperature
5474	Yellow	J1-B2	J1-B2	27/DeltaTemp Return
5475	Dk Green	J1-C1	J1-C1	1/Rail Pressure
5469	White	J1-C2	J1-C2	38/Fuel Pressure
5497	Purple	J1-C3	J1-C3	17/Oil Pressure
5453	Orange	J1-D2	J1-D2	36/Water-In-Fuel
5461	Brown	J1-D3	J1-D3	4/Coolant Temperature
5023	Orange	J1-D4	J1-D4	52/Rail Pressure
5496	Li Blue	J1-F1	J1-F1	44/EGR Mixed Temperature
5448	Gray	J1-F3	J1-F3	35/Crank Speed Return
5447	Purple	J1-F4	J1-F4	3/Crank Speed
5946	Li Blue	J1-G1	J1-G1	29/Excitation Voltage 1
5427	Purple	J1-G2	J1-G2	26/Sensor Return 1
5443	Orange	J1-G3	J1-G3	43/Cam Speed Return
5445	Dk Green	J1-G4	J1-G4	14/Cam Speed
5414	Yellow	J1-H3	J1-H3	13/Sensor Return 2
5416	Li Blue	J1-H4	J1-H4	33/Excitation Voltage 2

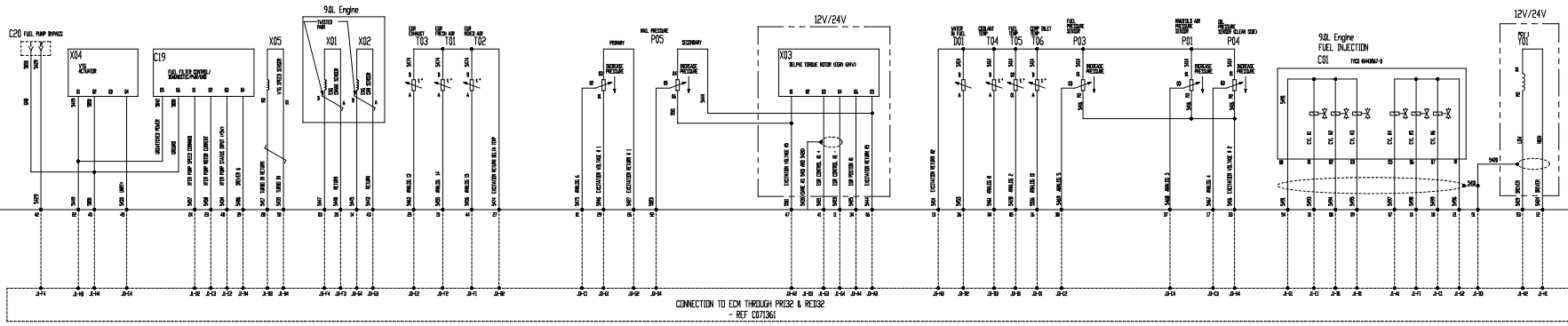
6068PTP

WIRE NUMBER	WIRE COLOR	ECM CONNECTION - J1 (PRIMARY & ALTERNATE)	SWITCHBOARD CONNECTION (PRI32 & RED32)	DESCRIPTION
5497	Purple	J1-A1	J1-A1	7/Injector Low 5 (cyl 4)
5494	Yellow	J1-B1	J1-B1	8/Injector Low 4 (cyl 2)
5417	Purple	J1-B3	J1-B3	28/Turbo Speed In Low
5435	Dk Green	J1-B4	J1-B4	50/Turbo Speed In High
5499	White	J1-C1	J1-C1	18/Injector Low 3 (cyl 6)
5458	Gray	J1-C3	J1-C3	23/Low Pressure Fuel Pump Current Out
5495	Dk Green	J1-D1	J1-D1	9/Injector Low 2 (cyl 3)
5457	Purple	J1-D2	J1-D2	24/Low Pressure Fuel Pump Speed CMD
5410	Black	J1-D3	J1-D3	51/Shield Drain
5486	Li Blue	J1-D4	J1-D4	39/Source Dnr 6 LPFP Power On
5493	Orange	J1-E1	J1-E1	31/Injector Low 0 (cyl 1)
5434	Yellow	J1-E2	J1-E2	48/Low Pressure Fuel Pump Status
5496	Gray	J1-F1	J1-F1	10/Injector Low 1 (cyl 5)
5429	White	J1-F4	J1-F4	42/Source Dnr 10 Cold Start Aid
5491	Brown	J1-G1	J1-G1	54/Inject High 0.1.2
5496	Li Blue	J1-G2	J1-G2	41/Inject High 3.4.5
5424	Yellow	J1-H1	J1-H1	12/High Pressure Fuel Pump High Solenoid
5419	White	J1-H2	J1-H2	53/High Pressure Fuel Pump Low Solenoid
5449B	White	J1-H3	J1-H3	Spliced together then go to pin 22 VTG power
5511	Brown	J1-A2	J1-A2	47/Excitation #5 +
5444	Yellow	J1-A3	J1-A3	6/Excitation #5 -
5428	Gray	J1-B1	J1-B1	5/Fuel Temperature
5474	Yellow	J1-B2	J1-B2	27/DeltaTemp Return
5475	Dk Green	J1-C1	J1-C1	1/Rail Pressure
5469	White	J1-C2	J1-C2	38/Fuel Pressure
5497	Purple	J1-C3	J1-C3	17/Oil Pressure
5453	Orange	J1-D2	J1-D2	36/Water-In-Fuel
5461	Brown	J1-D3	J1-D3	4/Coolant Temperature
5023	Orange	J1-D4	J1-D4	52/Rail Pressure
5496	Li Blue	J1-F1	J1-F1	44/EGR Mixed Temperature
5448	Gray	J1-F3	J1-F3	35/Crank Speed Return
5447	Purple	J1-F4	J1-F4	3/Crank Speed
5946	Li Blue	J1-G1	J1-G1	29/Excitation Voltage 1
5427	Purple	J1-G2	J1-G2	26/Sensor Return 1
5443	Orange	J1-G3	J1-G3	43/Cam Speed Return
5445	Dk Green	J1-G4	J1-G4	14/Cam Speed
5414	Yellow	J1-H3	J1-H3	13/Sensor Return 2
5416	Li Blue	J1-H4	J1-H4	33/Excitation Voltage 2

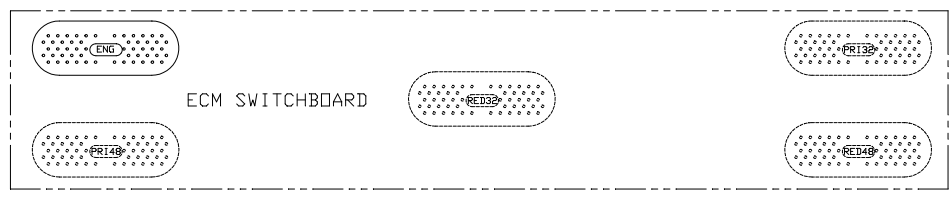
6090PTP

WIRE NUMBER	WIRE COLOR	ECM CONNECTION - J1 (PRIMARY & ALTERNATE)	SWITCHBOARD CONNECTION (PRI32 & RED32)	DESCRIPTION
5497	Purple	J1-A1	J1-A1	7/Injector Low 5 (cyl 4)
5494	Yellow	J1-B1	J1-B1	8/Injector Low 4 (cyl 2)
5417	Purple	J1-B3	J1-B3	28/Turbo Speed In Low
5435	Dk Green	J1-B4	J1-B4	50/Turbo Speed In High
5499	White	J1-C1	J1-C1	18/Injector Low 3 (cyl 6)
5458	Gray	J1-C3	J1-C3	23/Low Pressure Fuel Pump Current Out
5495	Dk Green	J1-D1	J1-D1	9/Injector Low 2 (cyl 3)
5457	Purple	J1-D2	J1-D2	24/Low Pressure Fuel Pump Speed CMD
5410	Black	J1-D3	J1-D3	51/Shield Drain
5486	Li Blue	J1-D4	J1-D4	39/Source Dnr 6 LPFP Power On
5493	Orange	J1-E1	J1-E1	

REV	DESCRIPTION	ECN#	DWN	APVD	DATE
A	ISSUED DRAWING	573	KJK		02NDV08



ENG - SWITCHBOARD CONNECTION - 6090PTP



REFERENCE DEERE WIRING DIAGRAM

THIS DRAWING AND THE INFORMATION HEREIN ARE DEERE PROPERTY AND MAY BE USED AS AUTHORIZED BY DEERE & COMPANY UNPUBLISHED. ALL RIGHTS RESERVED UNDER THE COPYRIGHT LAWS.		DESIGNER ERIC J. SCHMAEKE 2007-12-13 JDS-6113	SCALE METRIC DRAWING SCALE
MODEL REV Changing A. 5 Changing A. 5 SOURCING OPEN X CLOSED	MATERIAL DRAWING	DEERE & COMPANY PART NUMBER RE537846	DATE CODE J090 PART 7/1 REVISION A

CONTROLLED DRAWING
 THIS DRAWING AND THE INFORMATION HEREIN ARE DEERE PROPERTY AND MAY BE USED AS AUTHORIZED BY DEERE & COMPANY UNPUBLISHED. ALL RIGHTS RESERVED UNDER THE COPYRIGHT LAWS.

DATE DDMMYY 080808 ENGINEER ENGINEER MATERIAL XXXXXXXX USED IN / LAYOUT PART NO. XXXXXXXX	DRAWN NAME NAME DIMMMYY ENGINEER PART NO. XXXXXXXX SCALE NTS UNITS MM [INCH]	CLARKE <i>Fire Protection Products, Inc.</i> WIRING DIAGRAM, 6090PTP TIER 3 ENG CONNECTION C071370	PART NO. J090 PART 7/1 REVISION A
---	---	--	--

PAGE 1 OF 1