

8

7

6

5

4

3

2

1

H

G

F

E

D

C

B

A

H

G

F

E

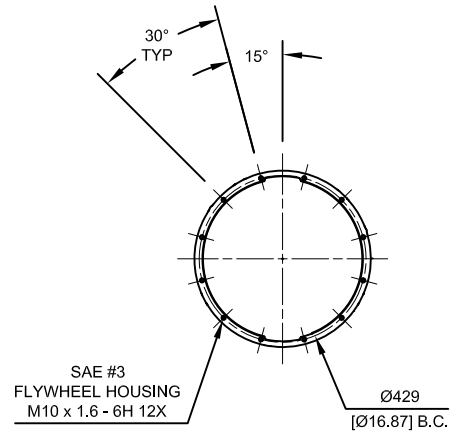
D

C

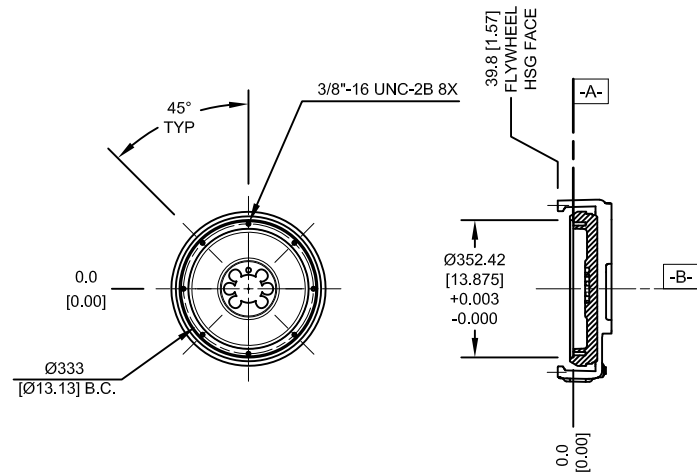
B

A

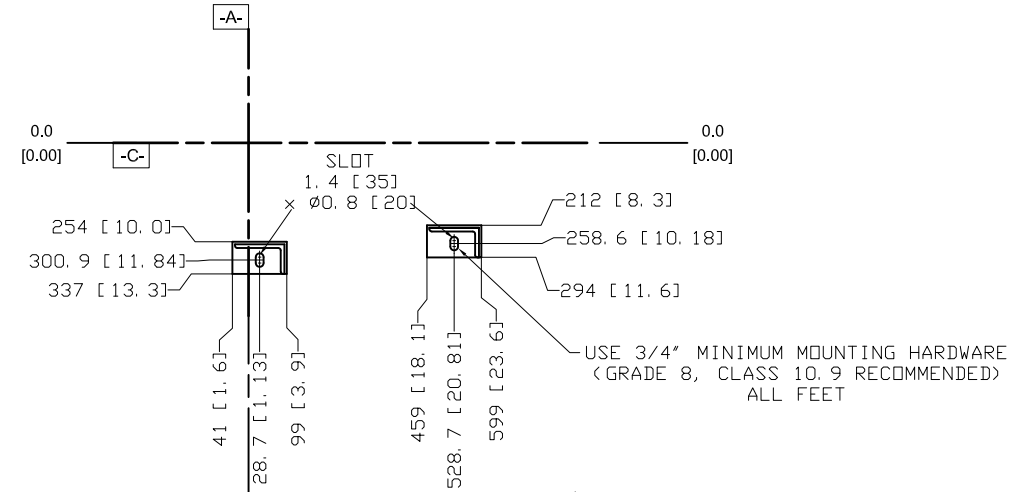
**FLYWHEEL HSG FACE
DETAIL**



**DETAIL DATUM -A-
BARE FLYWHEEL**

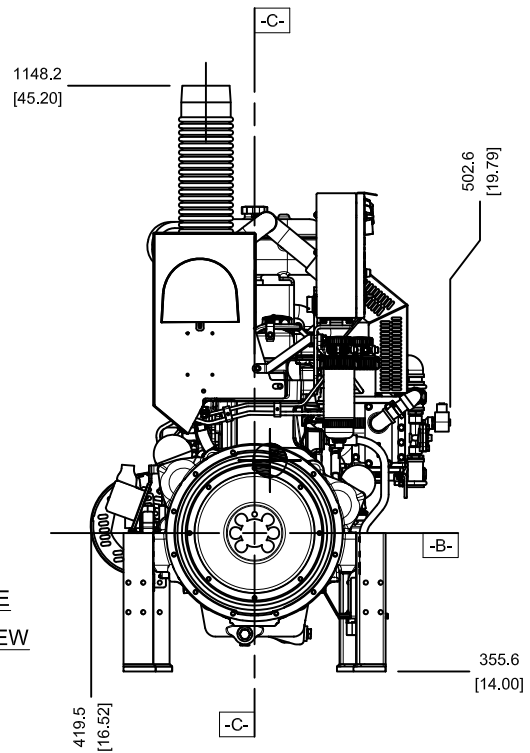


**ENGINE MOUNTING FEET
SYMMETRICAL ABOUT CRANKSHAFT
CENTERLINE: DATUM - C -**



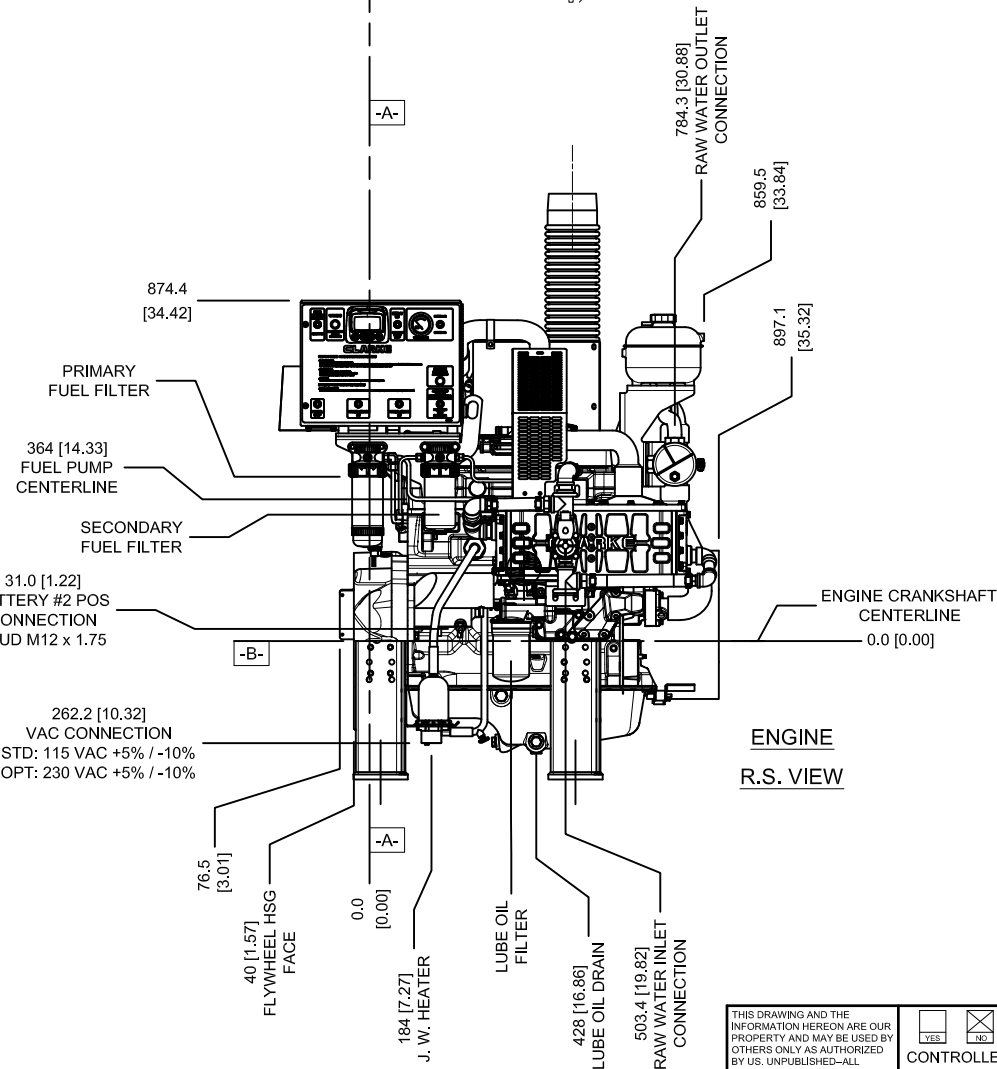
**DRAWING SUBJECT
TO CHANGE
WITHOUT NOTICE
DO NOT SCALE**

**ENGINE
REAR VIEW**



874.4 [34.42]
PRIMARY FUEL FILTER
364 [14.33]
FUEL PUMP CENTERLINE
SECONDARY FUEL FILTER
31.0 [1.22]
BATTERY #2 POS CONNECTION STUD M12 x 1.75
262.2 [10.32]
VAC CONNECTION
STD: 115 VAC +5% / -10%
OPT: 230 VAC +5% / -10%

**ENGINE
R.S. VIEW**



FOR ENGINE SPECIFIC OPTIONS
SEE www.CLARKEFIRE.com

THIS DRAWING AND THE INFORMATION HEREON ARE OUR PROPERTY AND MAY BE USED BY OTHERS ONLY AS AUTHORIZED BY US. UNPUBLISHED-ALL RIGHTS RESERVED UNDER THE COPYRIGHT LAWS.

MACHINE TOLERANCE	
DECIMAL	mm Inch
x	± 1.5
XX	± 0.8 ± 0.06
XXX	± 0.3 ± 0.03
XXXX	± 0.25 ± 0.01
XXXXX	± 0.01 ± 0.001

FABRICATION TOLERANCE	
DECIMAL	mm Inch
x	± 3
XX	± 1.5 ± 0.12
XXX	± 0.8 ± 0.08

ANGULAR: ± 0.5°
ANGULAR: ± 1.0°

<input type="checkbox"/> YES <input checked="" type="checkbox"/> NO CONTROLLED DRAWING		CLARKE Fire Protection Products, Inc.	
DRWN DPOTTER	NAME	INSTALLATION DRAWING	
DATE 11SEP09	ENGR KKUNKLER	DIESEL FIRE PUMP DRIVER	
MATERIAL	PART NO. D630	MODEL JU4H T3 PTE	
REFERENCE EC1626	SCALE NTS	UNITS MM [INCH]	PAGE 2 OF 2