

8

7

6

5

4

3

2

1

DATUMS

- A- - MOUNTING FACE OF FLYWHEEL
- B- - ENGINE CRANKSHAFT
- C- - ENGINE CRANKSHAFT VERTICAL CENTERLINE
- D- - PUMP OR RIGHT ANGLE GEAR SHAFT HORIZONTAL CENTERLINE
- E- - END OF PUMP OR RIGHT ANGLE GEAR SHAFT
- F- - REAR FACE OF ENGINE HALF FALK HUB
- G- - MOUNTING FACE OF UNIVERSAL DRIVE SHAFT ADAPTER
- CENTER OF GRAVITY OF ENGINE
- CLOCKWISE ROTATION WHEN VIEWED FROM FRONT OF ENGINE.

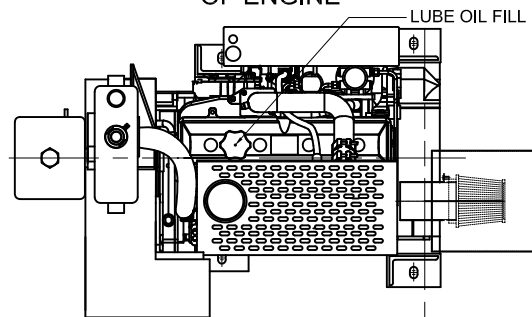
CAUTION

ALL PLUMBING MUST BE SUPPORTED AND/OR ISOLATED SO THAT NO WEIGHT OR STRESS IS APPLIED TO ANY ENGINE COMPONENT

ATTENTION

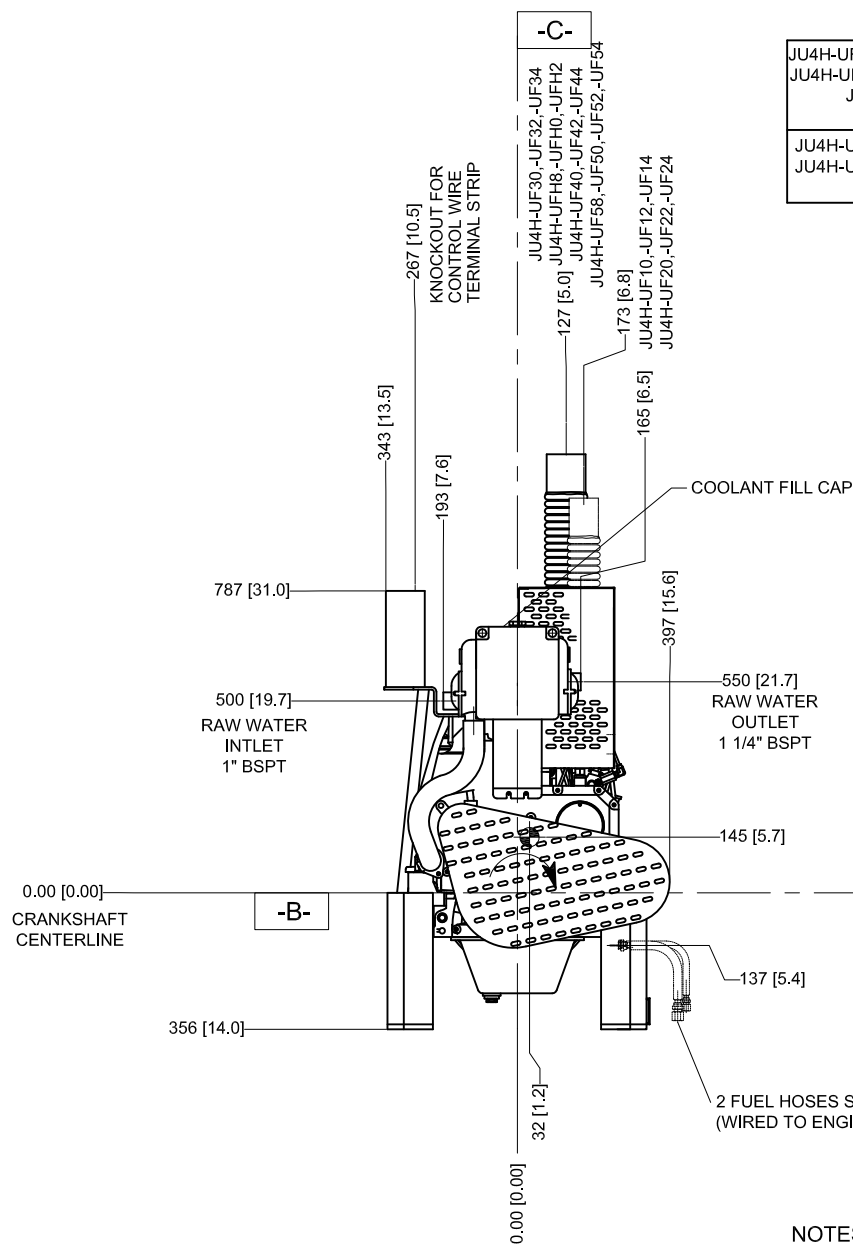
REFER TO THE SPECIFIC MODEL "INSTALLATION AND OPERATION DATA" FOR INSTALLATION GUIDELINES

VIEW FROM TOP OF ENGINE



JU4H-UF30,-UF32,-UF34,-UFH8,-UFH0,
JU4H-UFH2,-UF40,-UF42,-UF44,-UF58,
JU4H-UF50,-UF52,-UF54
SHOWN

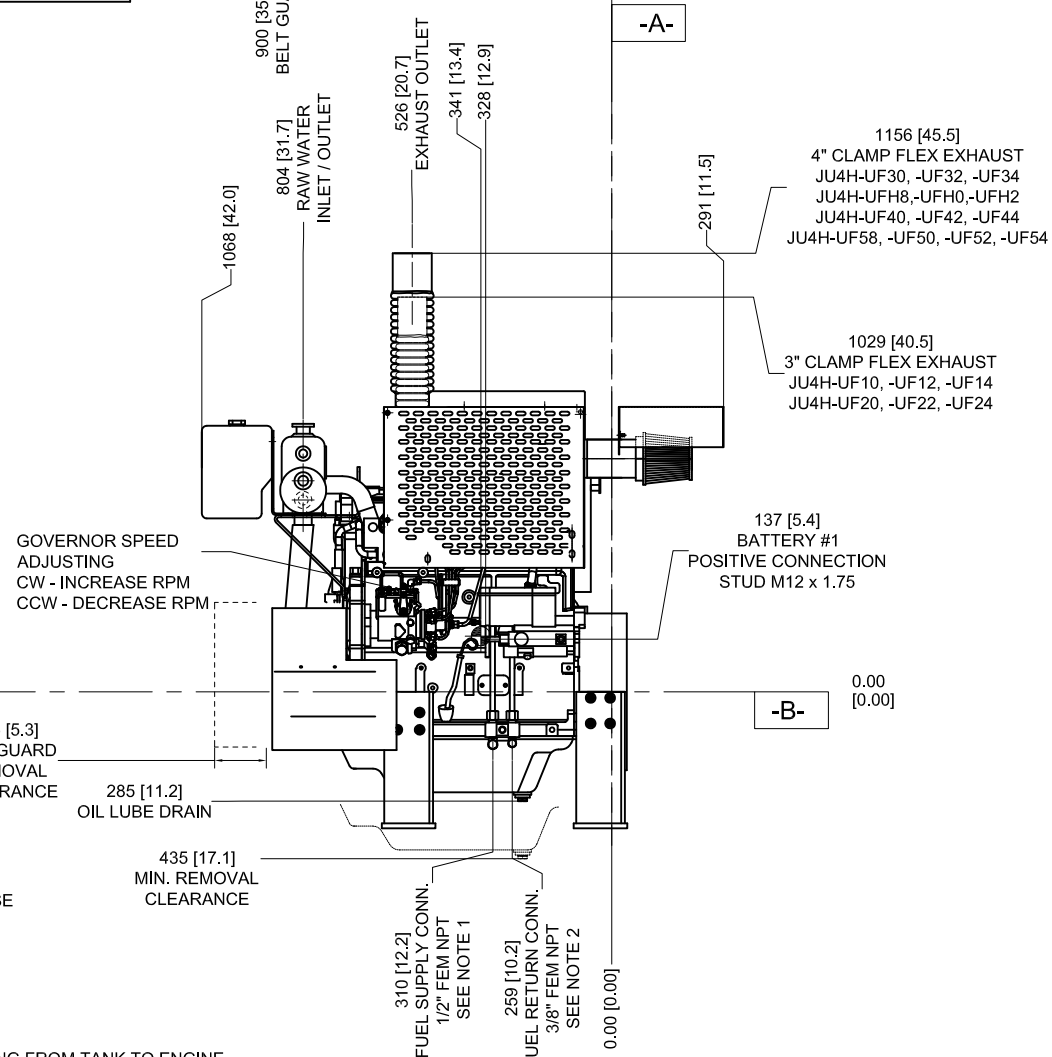
JU4H-UF10, JU4H-UF12, JU4H-UF14
JU4H-UF20, JU4H-UF22, JU4H-UF24
IN PHANTOM



VIEW FROM FRONT OF ENGINE

- NOTES:
1. FUEL SUPPLY PIPING FROM TANK TO ENGINE SHOULD BE 1/2" MINIMUM PIPE DIAMETER.
 2. FUEL RETURN PIPING FROM ENGINE TO TANK SHOULD BE 3/8" MINIMUM PIPE DIAMETER.

VIEW FROM LEFT SIDE OF ENGINE



DRAWING SUBJECT TO CHANGE WITHOUT NOTICE

DO NOT SCALE

REV	DESCRIPTION	ECN#	DWN	APVD	DATE
D	ADDED AIR FILTER DRIP SHIELD, ADDED CLOCKWISE ROTATION NOTE, ADD BELT GUARD REMOVAL CLEARANCE	1263	MWL	KRW	16MAR07
E	UPDATED ENGINE FEET MOUNTING DIMENSIONS	1408	RJT	KRW	13DEC07
F	CORRECTED LOCATION FUEL PUMP CENTERLIN	1622	KJM	KRW	13JAN09
G	UPDATED AIR FILTER DRIP GUARD	1622	ASC	KRW	21JUL09
H	UPDATED ENGINE MODELS AND REMOVED OPTIONS FROM PAGE 2	1806	RJT	KRW	13JAN10
J	REVISED ENGINE FOOT MOUNTING HOLE LOCATIONS - PAGE 2	1901	JCA	ASC	28JUL10
K	ADDED NEW COOLANT TANK	2215	DGP	ASC	05MAY11

THIS DRAWING AND THE INFORMATION HEREON ARE OUR PROPERTY AND MAY BE USED BY OTHERS ONLY AS AUTHORIZED BY US. UNPUBLISHED-ALL RIGHTS RESERVED UNDER THE COPYRIGHT LAWS.

MACHINE TOLERANCES

DECIMAL mm inch
 X. ±1.5
 X.X ±0.8 ±0.06
 X.XX ±0.3 ±0.03

ANGULAR: ±0.5°

SIMILAR TO D534

CONTROLLED DRAWING

DRWN MALAUER

DATE 30AUG04

ENGR K.J.KUNKLER

MATERIAL

CLARKE

Fire Protection Products, Inc.

NAME INSTALLATION DRAWING, FIRE PUMP ENGINE
 JU4H-UF10,-UF12,-UF14,-UF20,-UF22,-UF24
 JU4H-UF30,-UF32,-UF34,-UFH8,-UFH0,-UFH2,
 JU4H-UF40,-UF42,-UF44,-UF58,-UF50,-UF52,-UF54

PART NO. D545 REV K

SCALE NTS UNITS MM [INCH]

PAGE 1 OF 2

8

7

6

5

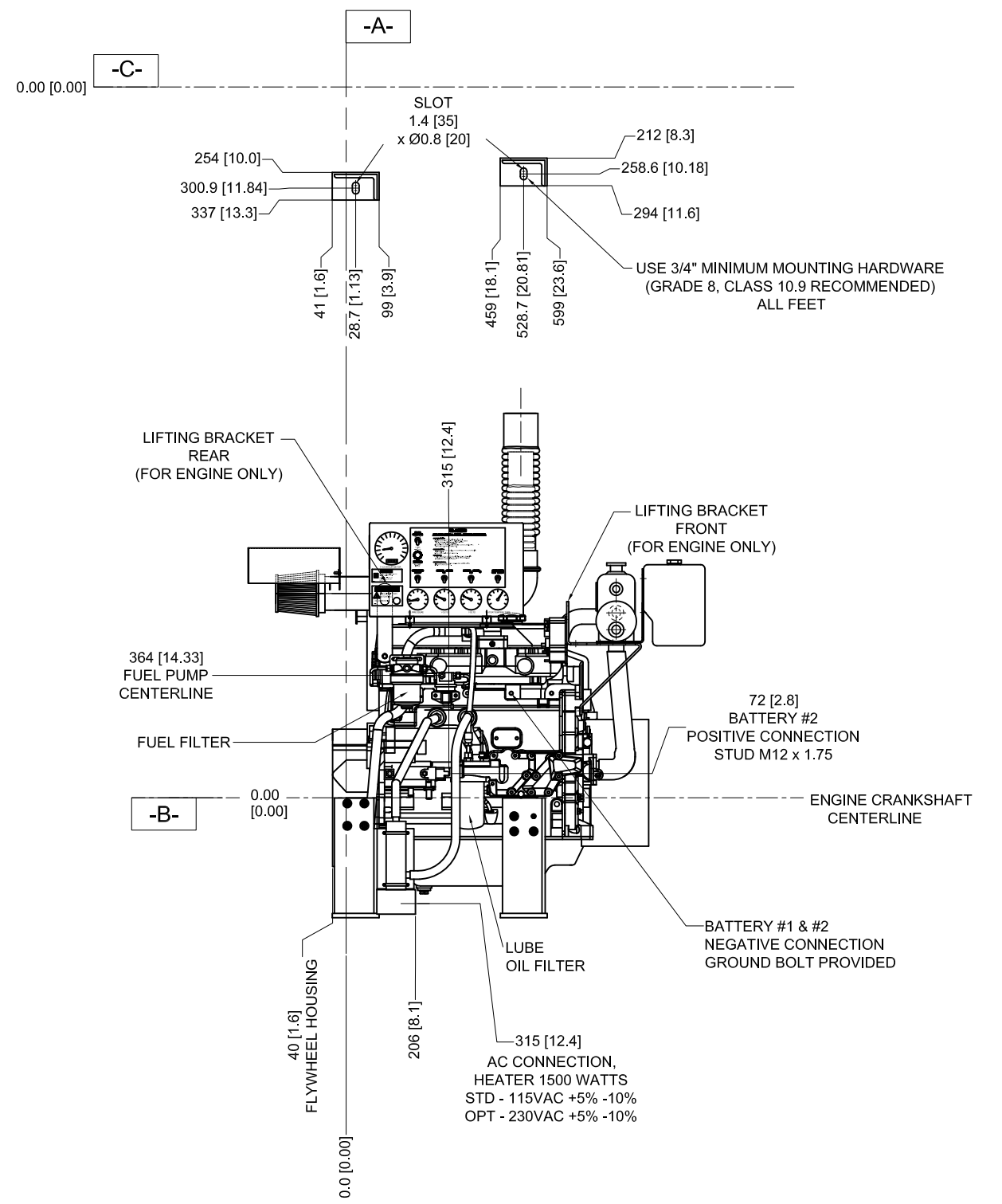
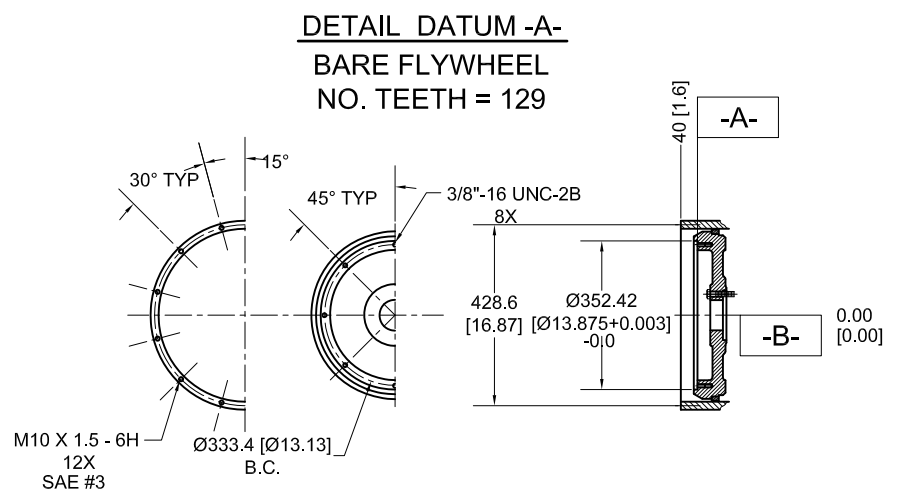
4

3

2

1

FOR ENGINE SPECIFIC OPTIONS
SEE www.CLARKEFIRE.com



**DRAWING SUBJECT
TO CHANGE
WITHOUT NOTICE**

***FOR ENGINES BUILT IN UK BEGINNING JANUARY, 2005**

<small>THIS DRAWING AND THE INFORMATION HEREON ARE OUR PROPERTY AND MAY BE USED BY OTHERS ONLY AS AUTHORIZED BY US. UNPUBLISHED-ALL RIGHTS RESERVED UNDER THE COPYRIGHT LAWS.</small>		<input type="checkbox"/> ASSES <input checked="" type="checkbox"/> CONTROLLED DRAWING		CLARKE <i>Fire Protection Products, Inc.</i>	
DRWN MALAUER DATE 30AUG04 ENGR K.J.KUNKLER		NAME INSTALLATION DRAWING, FIRE PUMP ENGINE JU4H-UF10,-UF12,-UF14,-UF20,-UF22,-UF24 JU4H-UF30,-UF32,-UF34,-UFH8,-UFH0,-UFH2, JU4H-UF40,-UF42,-UF44,-UF58,-UF50,-UF52,-UF54			
MACHINE TOLERANCES DECIMAL mm inch X. ±1.5 X.X ±0.8 ±0.06 X.XX ±0.3 ±0.03 ANGULAR: ±0.5°		MATERIAL D534		PART NO. D545 REV K	
SIMILAR TO D534		SCALE NTS UNITS MM [INCH]		PAGE 2 OF 2	