

DATUMS:

- A- - MOUNTING FACE OF FLYWHEEL
- B- - ENGINE CRANKSHAFT HORIZONTAL CENTERLINE
- C- - ENGINE CRANKSHAFT VERTICAL CENTERLINE
- D- - END OF STUB SHAFT

CAUTION

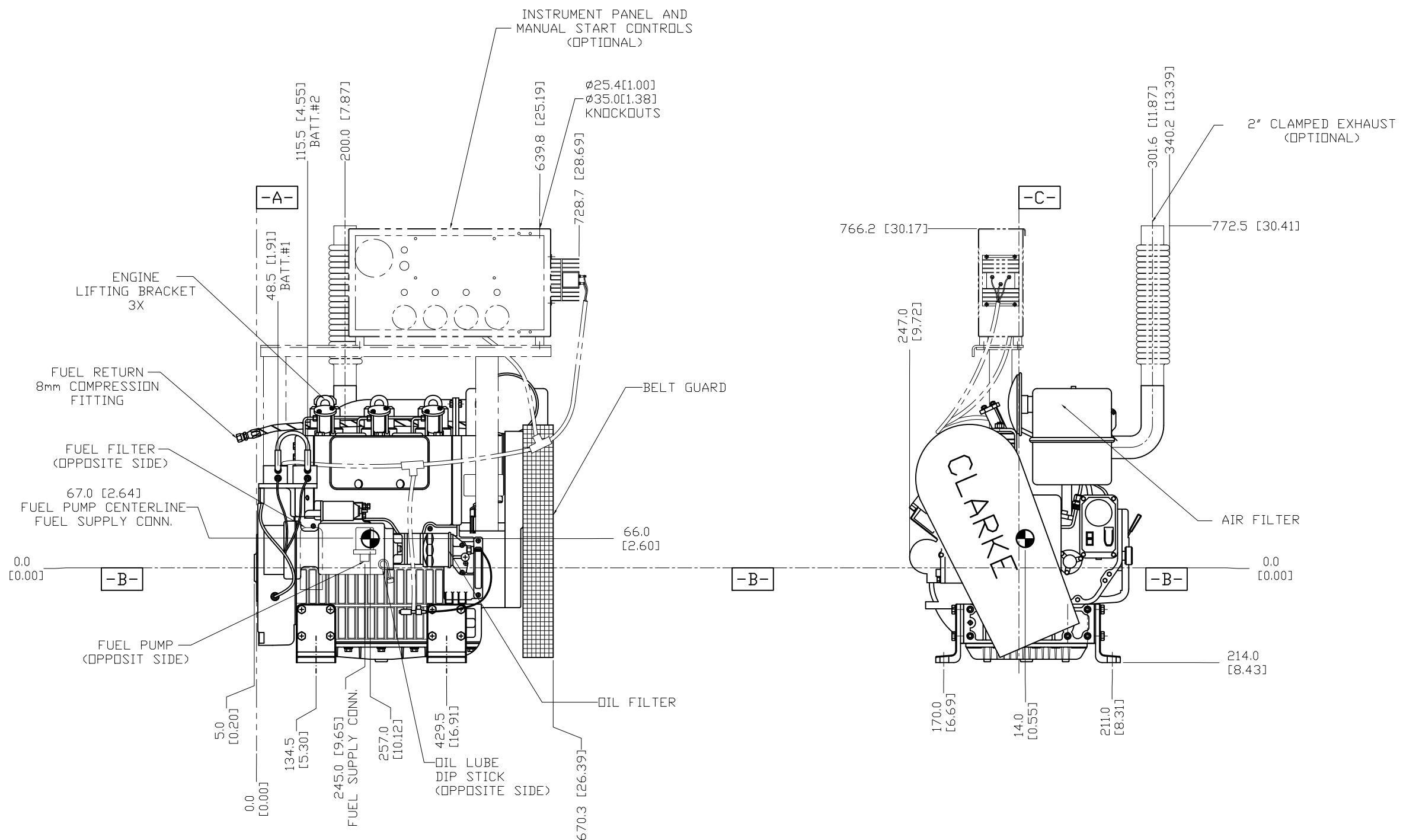
ALL PLUMBING MUST BE SUPPORTED AND/OR ISOLATED SO THAT NO WEIGHT OR STRESS IS APPLIED TO ANY ENGINE COMPONENT

● - ENGINE CENTER OF GRAVITY

ATTENTION

REFER TO THE SPECIFIC MODEL "INSTALLATION AND OPERATION DATA" FOR INSTALLATION GUIDELINES

DO NOT SCALE  
DRAWING SUBJECT  
TO CHANGE  
WITHOUT NOTICE



SYN	REVISION	EDW	DRW	APV	DATE	THIS DRAWING AND THE INFORMATION HEREON ARE THE PROPERTY AND NOT TO BE USED BY OTHERS WITHOUT THE WRITTEN PERMISSION OF CLARKE. RIGHTS RESERVED UNDER THE COPYRIGHT LAWS.	DWN
A	ISSUED ENGINEERING DRAWING	0142	SK	14MAY02	14MAY02		SKORENBLIT
B	ADDED 200 (7.87) EXHAUST OUTLET DIMENSION	452	MAL	23 JUN04	23 JUN04		14MAY02
C	F/WHEEL HSG. 325 DIM WAS 365	452	GH	01SEP04	01SEP04		KJUNJELER
D	ADDED DIMENSIONAL INFO	1688	ASC	25MAR09	25MAR09		
E	P2 -MOVED FLYWHEEL HOUSING BOLT HOLES. STUBSHAFT LENGTH WAS 179.5MM	2250	BGP	05MAY11	05MAY11		
F	EXHAUST SIZE WAS 2.5"	2448	ASC	14OCT11	14OCT11		

**CLARKE**

**FIRE PUMP ENGINE  
LC3A-NL30**

UD108

SCALE: FULL UNITS: MM

SHEET 1 OF 2

**DATUMS:**

- A- - MOUNTING FACE OF FLYWHEEL
- B- - ENGINE CRANKSHAFT HORIZONTAL CENTERLINE
- C- - ENGINE CRANKSHAFT VERTICAL CENTERLINE
- D- - END OF STUB SHAFT

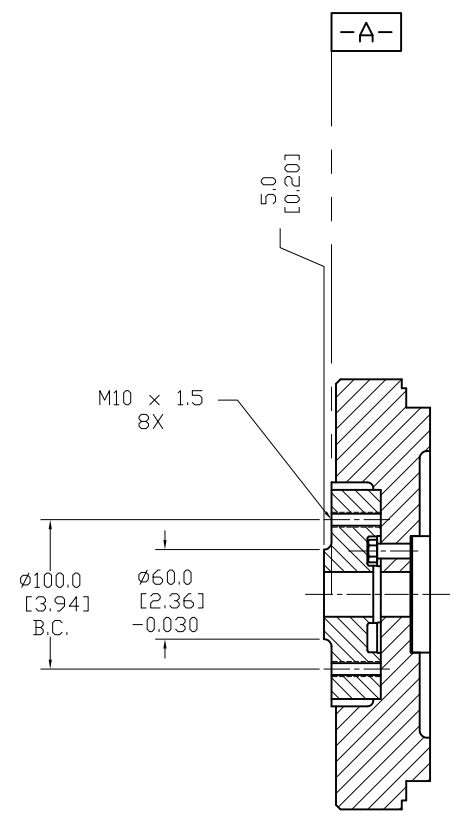
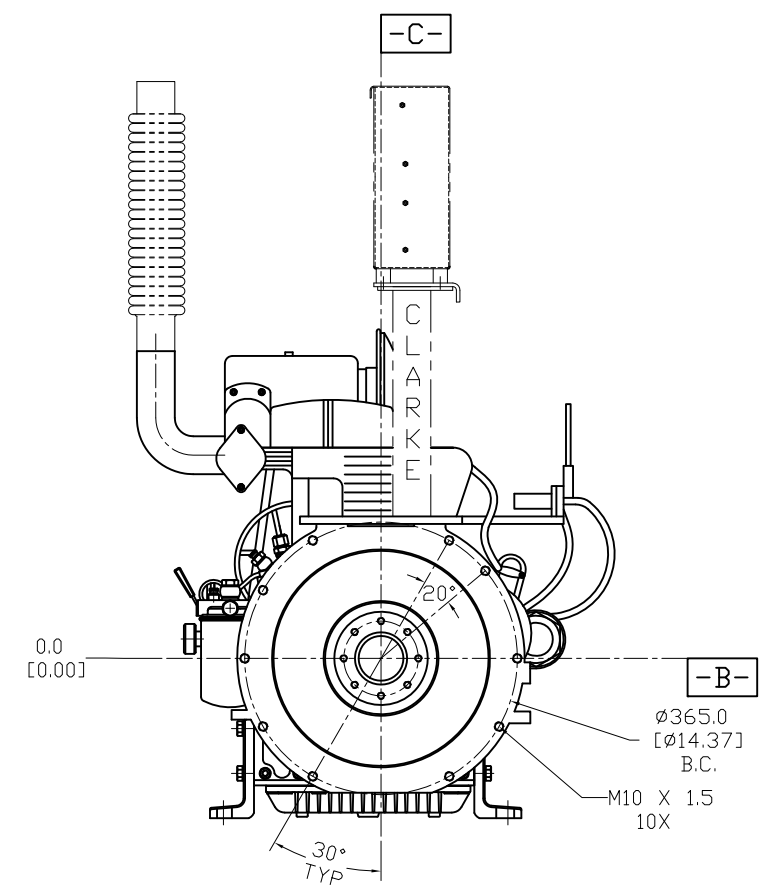
**CAUTION**

ALL PLUMBING MUST BE SUPPORTED AND/OR ISOLATED SO THAT NO WEIGHT OR STRESS IS APPLIED TO ANY ENGINE COMPONENT

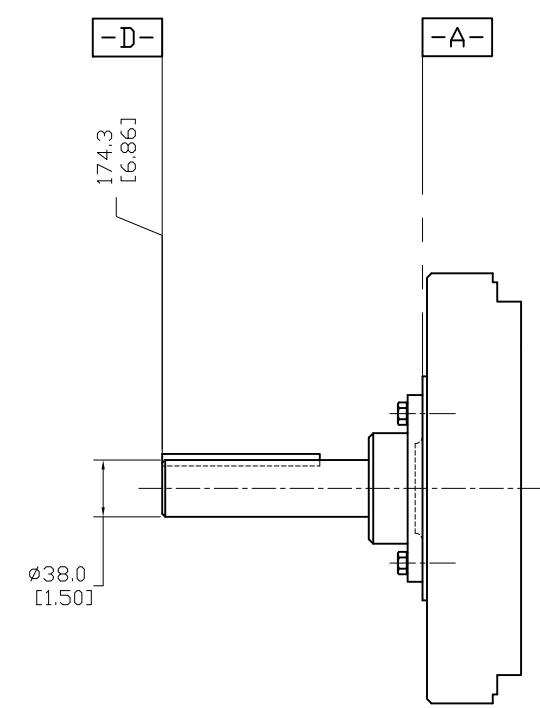
**ATTENTION**

REFER TO THE SPECIFIC MODEL "INSTALLATION AND OPERATION DATA" FOR INSTALLATION GUIDELINES

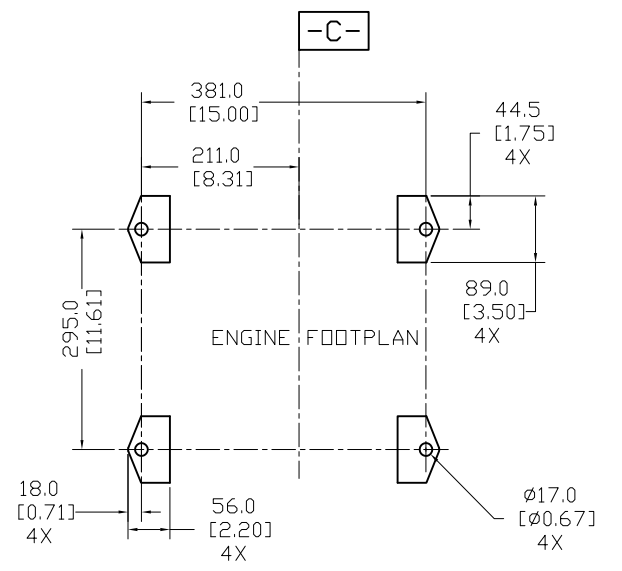
**DO NOT SCALE  
DRAWING SUBJECT  
TO CHANGE  
WITHOUT NOTICE**



DETAIL DATUM -A-  
BARE FLYWHEEL  
(SCALE: 2X)



DETAIL DATUM -D-  
STUB SHAFT  
(SCALE: 2X)



<small>THIS DRAWING AND THE INFORMATION HEREON ARE OUR PROPERTY AND MAY BE USED BY OTHERS ONLY AS AUTHORIZED BY US. EMPLOYER'S RIGHTS RESERVED UNDER THE COPYRIGHT LAWS.</small>		DWR: SKORENBLIT DATE: 14MAY02 ENGR: K.KUNIKLER	<b>CLARKE</b> FIRE PUMP ENGINE LC3A-NL30
INSP: _____ SERIES CODE: _____	SIZE: E PART NO: UD108 SCALE: FULL UNITS: MM	SHEET 2 OF 2	