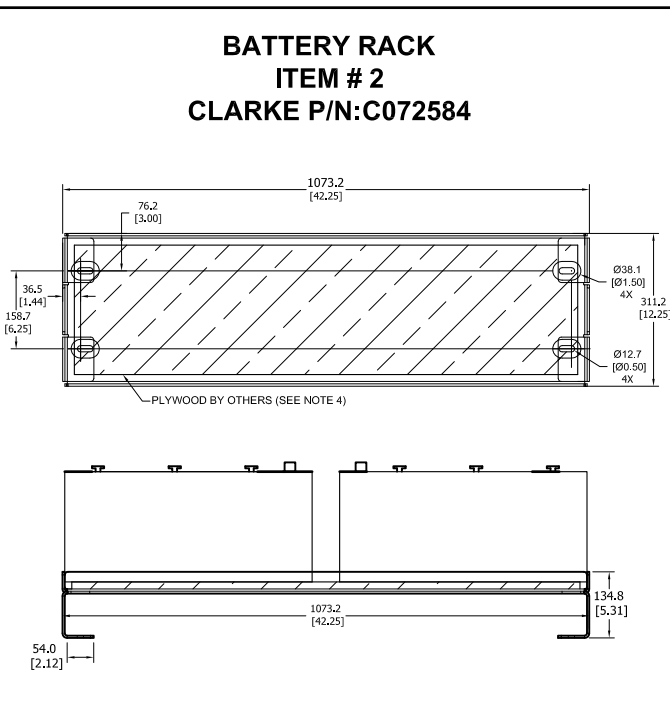
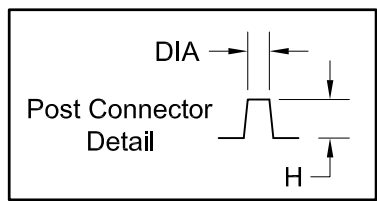


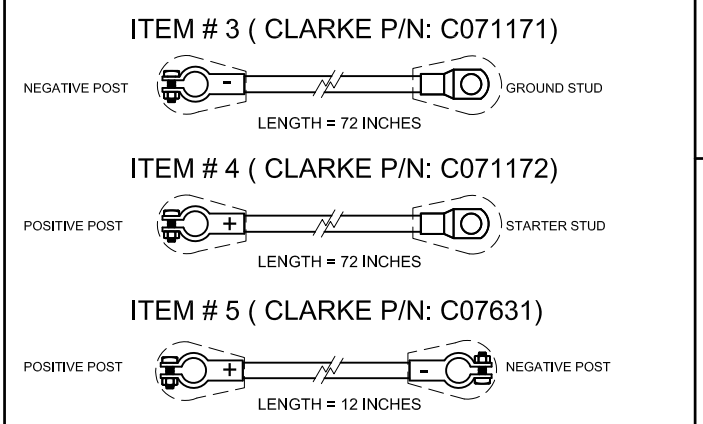
Clarke Battery P/N	Battery Model #	SAE # per J537	Engine Model Reference	Volts	Overall Dimensions		Weight lb (kg)		Performance Level			
					L x W x H in(mm)		Wet	Dry	Cold Cranking Amps @ 0 F (CCA) (3A)	Cranking Amps @ 32 F (CA)	Reserve Capacity (Minutes) (3B)	Rating @ 80 F (Amp Hours) (3C)
C07633	908D - Dry	8D-900	All KA4H, JU4H, JU4R, JU6H, JW6H	12V	20.75 x 11.0 x 10.0 (527 x 279 x 254)		130 (59.1)	80 (36.4)	1400	1720	430	185
			ALL JX6H, CAT18H0, DP, DQ, DR, DS, & DT	24V								



12 V & 24 V BATTERY CABLE SPECIFICATIONS					
Item	Clarke P/N	Size AWG (mm ²)	Terminal 1 Type	Terminal 2 Type	Φ
3	C071171	2/0 (70)	Negative Post	Ring	1/2" (12 mm)
4	C071172	2/0 (70)	Positive Post	Ring	1/2" (12 mm)
5	C07631	2/0 (70)	Positive Post	Negative Post	



Post Connector Dimensions in(mm)			
POSITIVE		NEGATIVE	
DIA	H	DIA	H
3/4"	3/4"	5/8"	3/4"
(19.1 mm)	(19.1 mm)	(15.9 mm)	(19.1 mm)



Notes:

- Batteries equipped with handles and lifting ledges.
- Batteries are manufactured in black polypropylene case and cover.
- Meets SAE storage battery requirements for SAE J537 JUN92.
 - 3A. While discharging specified amps, the battery voltage across the terminals after 30 seconds is 1.2 volts/cell or greater.
 - 3B. Time (minutes) to discharge battery at 25 amps when voltage across the battery terminals have fallen to 1.75 volts/cell.
 - 3C. Amp Hours = (reserve (minutes) x 25 amps)/60 min/hr
- Battery should set into battery rack on 1/2" plywood (or equal) to provide insulation and support.
- Battery meets NFPA 20 2013 requirements: Section 11.2.7.2.1.4: At 40°F (4°C), each battery unit shall have twice the capacity sufficient to maintain the cranking speed recommended by the engine manufacturer through a 3-minute attempt-to-start cycle, which is six consecutive cycles of 15 seconds of cranking and 15 seconds of rest. Section 11.2.7.2.1.5: Batteries shall be sized, based on calculations, to have capacity to carry the loads defined in 11.2.7.2.3 for 72 hours of standby power followed by three 15-second attempt-to-start cycles per battery unit as defined in 11.2.7.2.1.4 without ac power being available for battery charging. Section 11.2.7.2.3.2: Essential loads, including the engine, controller, and all pump room equipment combined, shall not exceed 0.5 ampere each for a total of 1.5 amperes, on continuous basis.
- Battery cable length (total circuit) should not exceed the guidelines for minimum size or max circuit resistance as provided on the installation & operation data sheet for the given engine model.
- Batteries are shipped dry charged and without electrolyte (by others). See "Activation - Dry Charged Batteries."

Activation - Dry Charged Batteries:

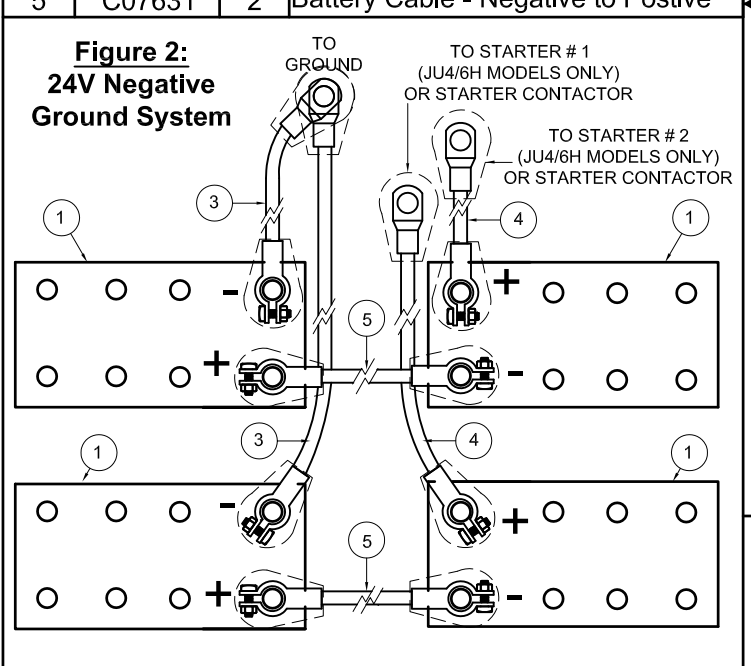
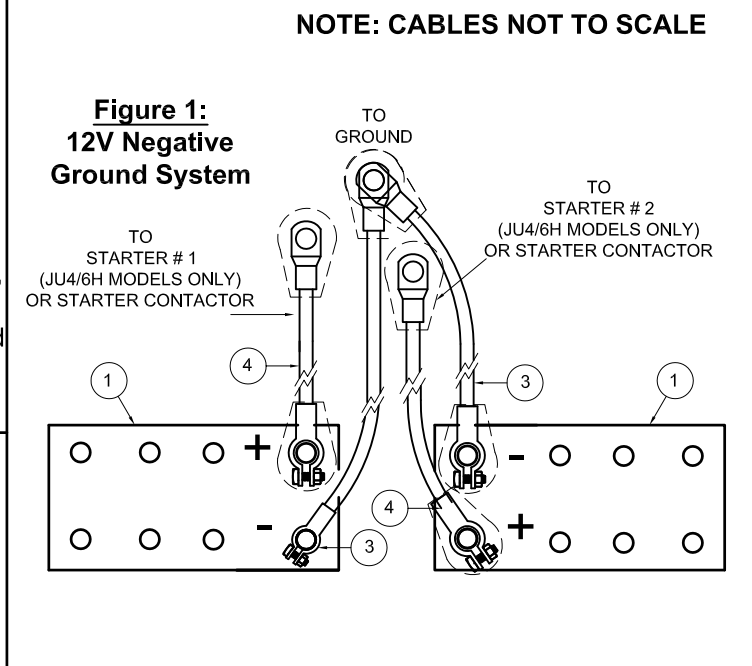
- Use premix battery grade electrolyte (Specific Gravity: 1.265) Each 908D battery will take approximately 18 qts (16.5 L) of electrolyte.
- Remove the six vents caps for each battery.
- With proper safety gear (eye protection, gloves, etc.) carefully fill each of the six cells to cover the plates and just below the vent well. **DO NOT OVERFILL!**
- Re-install vent caps.
- It is recommended that the battery chargers in fire pump controller are used for 1 day prior to putting batteries/engine in service.
- After initial charge, check level of electrolyte in all cells. If required, add additional electrolyte to bring all levels to the bottom of the vent wells. **DO NOT OVERFILL!** If batteries require top-off while in service, add water. **DO NOT ADD ACID.**

12V 908D BATTERY KIT, CLAKE P/N: C07844 (FIGURE 1)

Item	Clarke P/N	QTY	Description
1	C07633	2	Battery - 908D, Dry, 1400 CCA, 12V
2	C072584	1	Battery Rack
3	C071171	2	Battery Cable - Negative/Ground
4	C071172	2	Battery Cable - Positive/Starter

24V 908D BATTERY KIT, CLAKE P/N: C07688 (FIGURE 2)

Item	Clarke P/N	QTY	Description
1	C07633	4	Battery - 908D, Dry, 1400 CCA 12V
2	C072584	2	Battery Rack
3	C071171	2	Battery Cable - Negative/Ground
4	C071172	2	Battery Cable - Positive/Starter
5	C07631	2	Battery Cable - Negative to Postive



REV	DESCRIPTION	ECN#	DWN	APVD	DATE
T	KIT RACK P/N WAS INCORRECT	4503	JCA	JCA	06DEC17
U	ADDED CAT18H0 MODEL/UPDATED BATTERY CABLES	5098	JCA	JCA	25OCT18
V	REMOVED ZE4H MODEL/UPDATED BATTERY CABLES	5235	JCA	JCA	27NOV18

THIS DRAWING AND THE INFORMATION HEREON ARE OUR PROPERTY AND MAY BE USED BY OTHERS ONLY AS AUTHORIZED BY US. UNPUBLISHED - ALL RIGHTS RESERVED UNDER THE COPYRIGHT LAWS.

CONTROLLED DRAWING
 DRWN JAUGENSTEIN
 DATE 31JUL10
 ENGR KWAULIGMAN

CLARKE
 NAME CLARKE USA SUPPLIED LEAD-ACID BATTERY KIT SPECIFICATIONS
 (FOR USE ON FIRE PUMP INSTALLATIONS THAT ARE UL, FM, & NFPA20)
 PART NO. C131885
 UNITS MM [INCH]
 PAGE 1 OF 1