

8

7

6

5

4

3

2

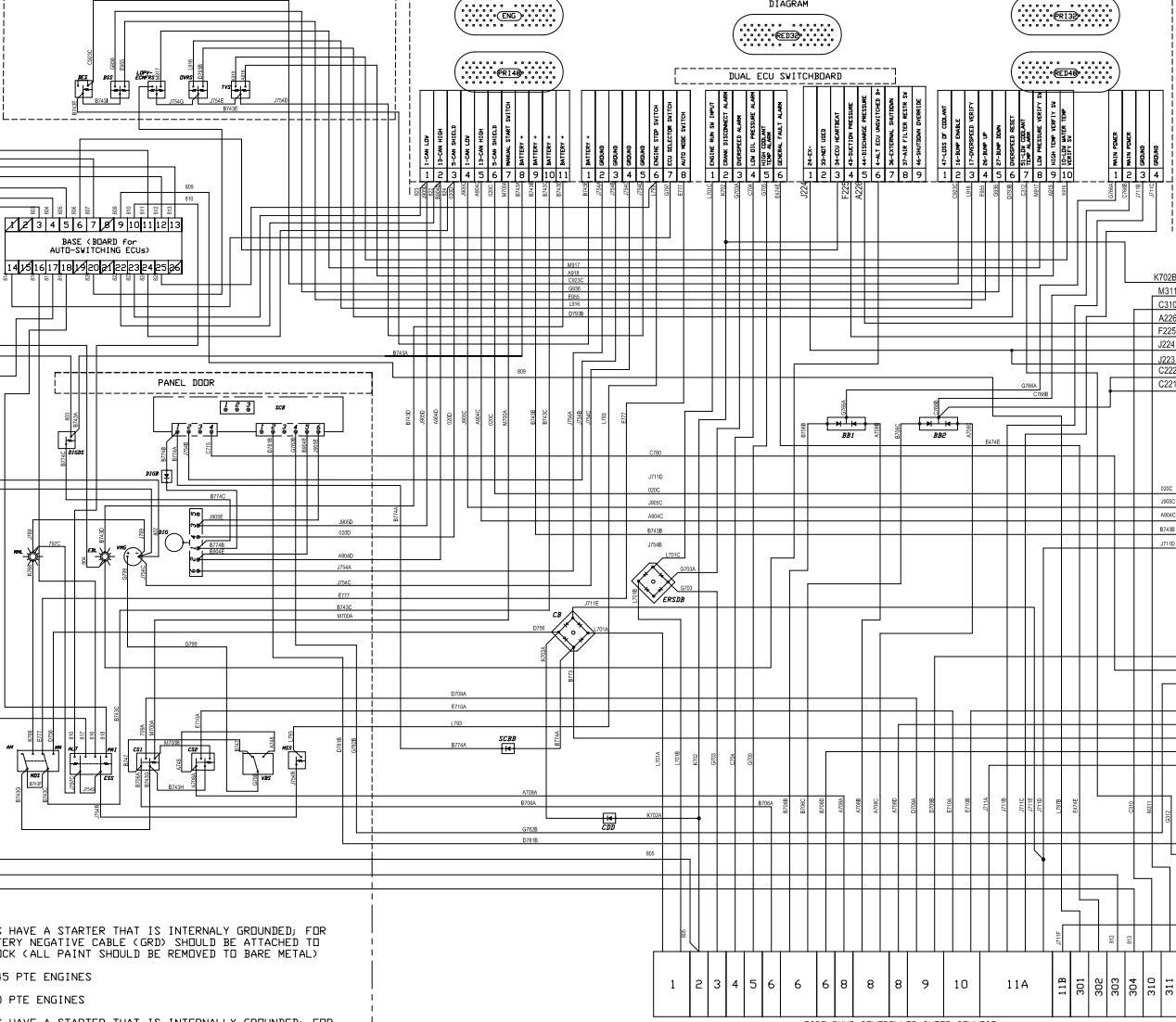
1

INSTRUMENT PANEL

SWITCH PLATE

NOTE: SEE C071361 FOR ECU CONNECTION DIAGRAM

DUAL ECU SWITCHBOARD



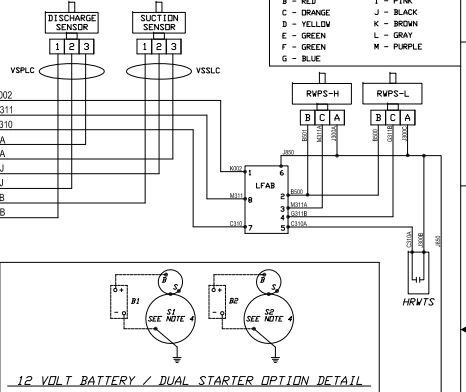
REV	DESCRIPTION	ECN#	DWN	APVD	DATE
B	ADDED TERMINAL 11B AND WIRING, TERMINAL 11A WAS 11.	4781	MJD	MD	01FEB17

LEGEND

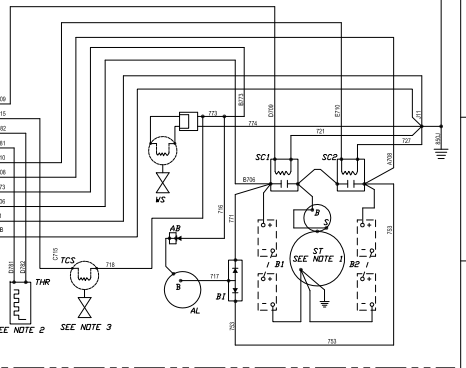
- AB - ALTERNATOR BRIDGE
- AL - ALTERNATOR
- AM - AUTOMATIC MODE POSITION
- B1 - BATTERY #1
- B2 - BATTERY #2
- BRI - BATTERY BRIDGE #1
- BR2 - BATTERY BRIDGE #2
- BES - BUMP ENABLE SWITCH
- BSS - SPEED BUMP SWITCH
- BT - BATTERY ISOLATOR
- CS1 - CRANK (MANUAL) SWITCH - BATT#1
- CS2 - CRANK (MANUAL) SWITCH - BATT#2
- CB - COOLANT BRIDGE
- CDD - CRANK DISCONNECT DIODE
- D1A - DIAGNOSTIC GAUGE
- D1GB - DIAGNOSTIC GAUGE DIODE BRIDGE
- D1GDS - DIAGNOSTIC GAUGE DISPLAY SWITCH
- ECU - ECU SELECTOR SWITCH
- EBL - ALTERNATE ECU INDICATING LAMP
- ERESB - ENGINE RUN SIGNAL DIODE BRIDGE
- ESS - ECU SELECTOR SWITCH
- HRVTS - HIGH RAW WATER TEMPERATURE SENSOR
- LFAB - LOW FLOW TEMP ALARM BOARD
- LOPVS - LOW OIL PRESSURE VERIFY SWITCH
- MES - MODE SELECTOR SWITCH
- MM - MANUAL MODE POSITION
- MI - MAGNETIC PICK-UP
- MS - MANUAL STOP SWITCH
- OCB - OVER-CURRENT BREAKER
- DVCS - DIVERSE VERIFY # 67% / RESET SWITCH
- RWPS-H - RAW WATER PRESSURE SENSOR HIGH
- RWPS-L - RAW WATER PRESSURE SENSOR LOW
- SC1 - STARTER CONTACTOR BATT#1
- SC2 - STARTER CONTACTOR BATT#2
- SCB - SOLENOID CONTROL BOARD
- SCSB - SOLENOID CONTROL BOARD DIODE
- ST - STARTER
- TCS - TEMPERATURE CONTROL SOLENOID
- THR - TEMPERATURE (COMPRESSOR INLET)
- TYS - TEMPERATURE ALARM VERIFY SWITCH
- VBS - BATTERY VOLTAGE SELECTOR
- VM - VOLT METER GAUGE
- VS - WATER SOLENOID VALVE
- WT - WATER TEMPERATURE N.D SW 805°F

COLOR CODE

A - WHITE	G - BLUE
B - RED	I - PINK
C - ORANGE	J - BLACK
D - YELLOW	K - BROWN
E - GREEN	L - GRAY
F - GREEN	M - PURPLE
G - BLUE	



12 VOLT BATTERY / DUAL STARTER OPTION DETAIL



FIRE PUMP CONTROLLER INTER-CONNECT

FOR ENGINES BUILT AFTER MARCH 2015

- NOTES:
- SOME MODELS HAVE A STARTER THAT IS INTERNALLY GROUNDED; FOR THOSE THE BATTERY NEGATIVE CABLE (GRD) SHOULD BE ATTACHED TO THE ENGINE BLOCK (ALL PAINT SHOULD BE REMOVED TO BARE METAL)
 - ONLY ON 4045 PTE ENGINES
 - NOT ON 6090 PTE ENGINES
 - SOME MODELS HAVE A STARTER THAT IS INTERNALLY GROUNDED; FOR THOSE THE BATTERY NEGATIVE CABLE (GND) SHOULD BE ATTACHED TO THE ENGINE BLOCK (ALL PAINT SHOULD BE REMOVED TO BARE METAL)

CLARKE Fire Protection Products, Inc.	
THIS DRAWING AND THE INFORMATION CONTAINED HEREIN ARE THE PROPERTY OF CLARKE. ALL RIGHTS ARE RESERVED. NO PART OF THIS DRAWING IS TO BE REPRODUCED OR TRANSMITTED IN ANY FORM OR BY ANY MEANS, ELECTRONIC OR MECHANICAL, WITHOUT PERMISSION IN WRITING FROM CLARKE.	DATE: 30JAN15 DRAWN: MJBEMBKOWSKI CHECKED: MJBEMBKOWSKI MATERIAL: MATERIAL PART NO: C072146 SCALE: NTS SHEET NO: 1 OF 1

8

7

6

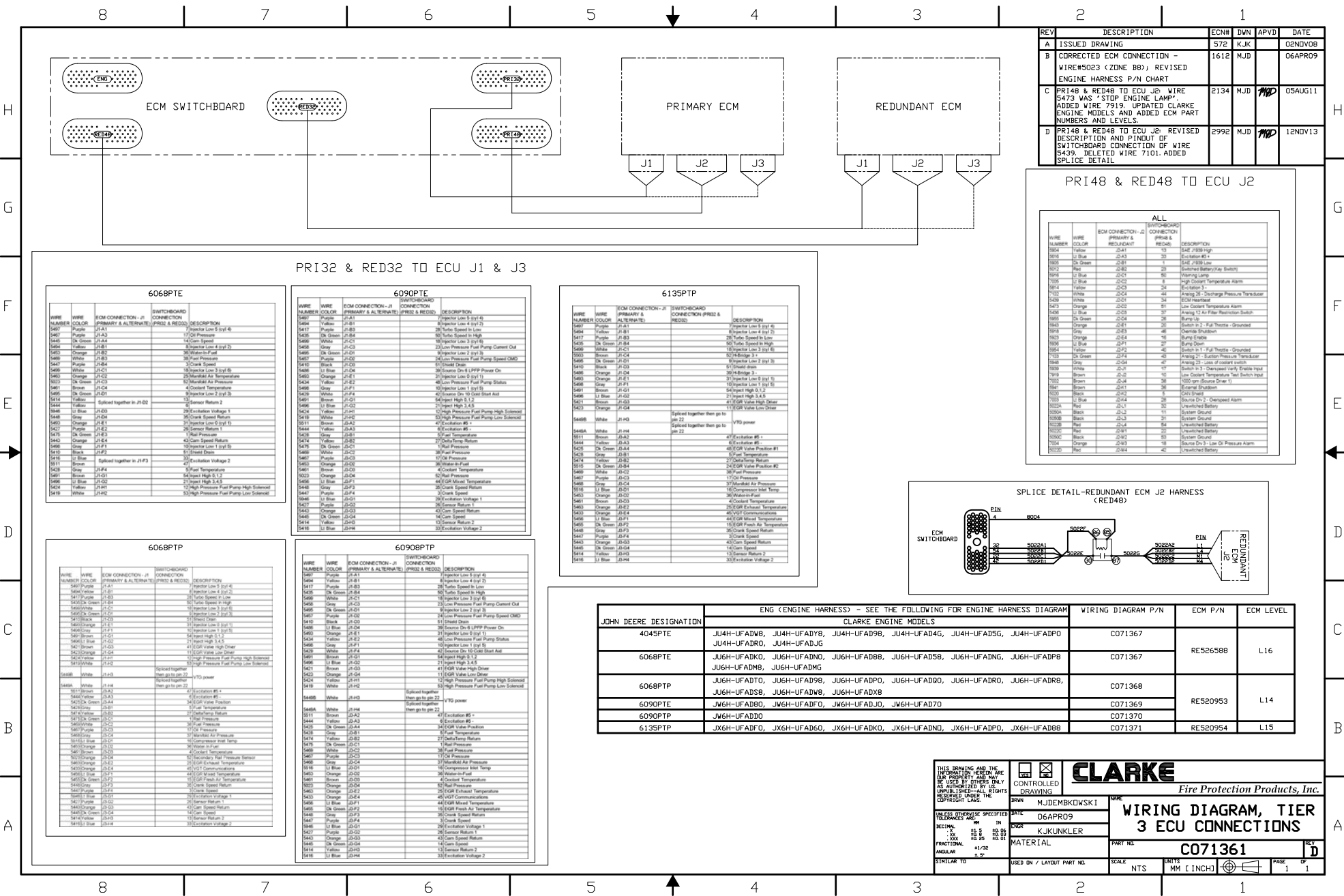
5

4

3

2

1



Revision table with columns: REV, DESCRIPTION, ECN#, BWN, APVD, DATE. Includes entries A through D with descriptions of wire corrections and updates.

Table titled 'PRI48 & RED48 TO ECU J2' containing a list of wire numbers, colors, and descriptions for connections between the ECM switchboard and the engine control unit.

Table titled '6068PTE' listing wire numbers, colors, and descriptions for connections from the ECM switchboard to the engine control unit.

Table titled '6090PTE' listing wire numbers, colors, and descriptions for connections from the ECM switchboard to the engine control unit.

Table titled '6135PTP' listing wire numbers, colors, and descriptions for connections from the ECM switchboard to the engine control unit.

Table titled '6068PTP' listing wire numbers, colors, and descriptions for connections from the ECM switchboard to the engine control unit.

Table titled '6090BTP' listing wire numbers, colors, and descriptions for connections from the ECM switchboard to the engine control unit.

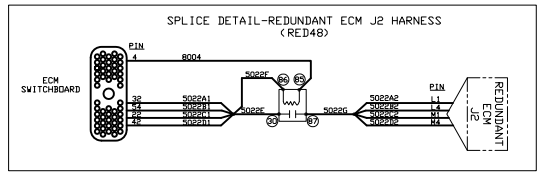
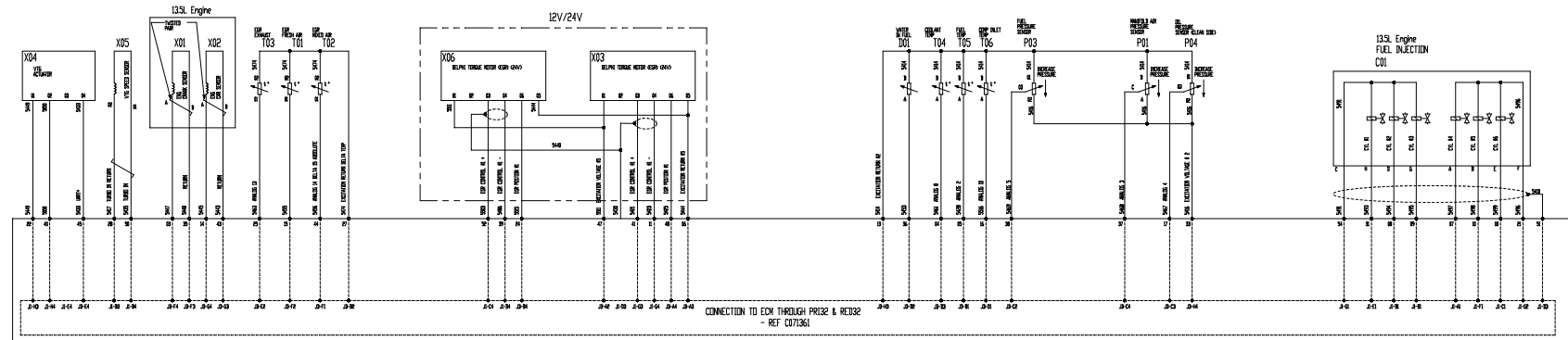


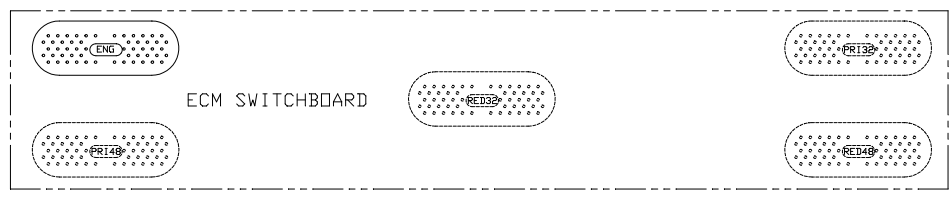
Table mapping John Deere designations to Clarke engine models and wiring diagrams. Columns include John Deere Designation, Clarke Engine Models, Wiring Diagram P/N, ECM P/N, and ECM Level.

Controlled Drawing section with company logo 'CLARKE Fire Protection Products, Inc.', drawing title 'WIRING DIAGRAM, TIER 3 ECU CONNECTIONS', and drawing number 'C071361'.

REV	DESCRIPTION	ECN#	DWN	APVD	DATE
A	ISSUED DRAWING	574	KJK		02NDIV08



ENG - SWITCHBOARD CONNECTION - 6135PTP



REFERENCE DEERE WIRING DIAGRAM

THIS DRAWING AND THE INFORMATION HEREIN ARE THE PROPERTY AND MAY BE USED AS AUTHORIZED BY DEERE & COMPANY. ALL RIGHTS RESERVED UNDER THE COPYRIGHT LAWS.

MODEL NO.	MODEL REV.	REVISION	DATE
Cheng/Pg	A. 5		
DRW. NO.	DRW. REV.		
Cheng/Pg	A. 5		
SOURCING	OPEN	X	
	CLOSED		

DESIGNER	ERIC J. SCHMIDKE	SCALE	METRIC DRAWING SCALE
REVISIONS	2007-11-16 JRS-6113	DATE	
TITLE	DIAGRAM, SCHEMATIC	DATE	
	L15, 13.5L DEM (CLARKE)	DATE	
DEERE & COMPANY		DATE	
VERSION	RG	REVISION	A
PART NUMBER	RE537503		

THIS DRAWING AND THE INFORMATION HEREIN ARE THE PROPERTY AND MAY BE USED AS AUTHORIZED BY DEERE & COMPANY. ALL RIGHTS RESERVED UNDER THE COPYRIGHT LAWS.

CONTROLLED DRAWING

UNLESS OTHERWISE SPECIFIED TO OTHERWISE INDICATE:	DATE	NAME	SCALE
DECIMAL	MM	ENGINEER	
FRACTIONAL	1/16	ENGINEER	
ANGULAR	1/32	MATERIAL	
SIMILAR TO	XXXXXXX	USED IN / LAYOUT PART NO.	

DRWN	NAME	SCALE	UNITS
			MM [INCH]
DATE	DDMMYY	SCALE	NTS
ENGR	ENGINEER		
MATERIAL	XXXXXXXX		
USED IN / LAYOUT PART NO.			

CLARKE
Fire Protection Products, Inc.

WIRING DIAGRAM,
6135PTP TIER 3 ENG
CONNECTION
C071371

PAGE 1 OF 1