

REV	DESCRIPTION	ECN#	DWN	APVD	DATE
A	ISSUED ENGINEERING DRAWING	2992	MJD	MJD	11NOV13
B	RE-ROUTED WIRES 711D & 754B	---	MJD	MJD	27MAR14

LEGEND

AB - ALTERNATOR BRIDGE	LOPVS - LOW OIL PRESSURE VERIFY SWITCH
AL - ALTERNATOR	MDS - MODE SELECTOR SWITCH
AM - AUTOMATIC MODE POSITION	MM - MANUAL MODE POSITION
B1 - BATTERY #1	MML - MANUAL MODE INDICATING LAMP
B2 - BATTERY #2	MP - MAGNETIC PICK-UP
BB1 - BATTERY BRIDGE #1	MSS - MANUAL STOP SWITCH
BB2 - BATTERY BRIDGE #2	OCB - OVER-CURRENT BREAKER
BES - BUMP ENABLE SWITCH	DVRS - OVERSPEED VERIFY @ 67% RESET SWITCH
BSS - SPEED BUMP SWITCH	SC1 - STARTER CONTACTOR BATT#1
B1 - BATTERY ISOLATOR	SC2 - STARTER CONTACTOR BATT#2
CS1 - CRANK (MANUAL) SWITCH - BATT #1	SCB - SOLENOID CONTROL BOARD
CS2 - CRANK (MANUAL) SWITCH - BATT #2	SCBB - SOLENOID CONTROL BOARD DIODE
CB - COOLANT BRIDGE	ST - STARTER
CDD - CRANK DISCONNECT DIODE	TCS - TEMPERATURE CONTROL SOLENOID
DIA - DIAGNOSTIC GAUGE	THR - SCB THERMISTOR (COMPRESSOR INLET)
DIGB - DIAGNOSTIC GAUGE DIODE BRIDGE	TVS - TEMPERATURE ALARM VERIFY SWITCH
DIGS - DIAGNOSTIC GAUGE DISPLAY SWITCH	VBS - BATTERY VOLTAGE SELECTOR
DIGS - ALTERNATE ECU INDICATING LAMP	VMG - VOLTMETER GAUGE
EBL - ALTERNATE ECU INDICATING LAMP	WS - WATER SOLENOID VALVE
ERSDB - ENGINE RUN SIGNAL DIODE BRIDGE	WT - WATER TEMPERATURE N.O. SW 205°F
ESS - ECU SELECTOR SWITCH	

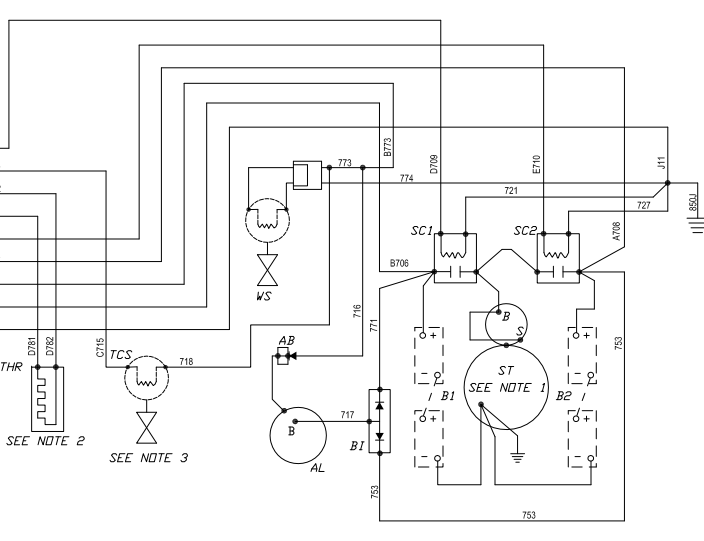
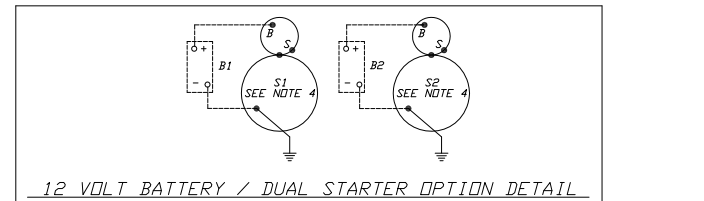
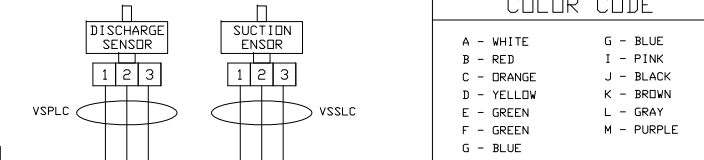
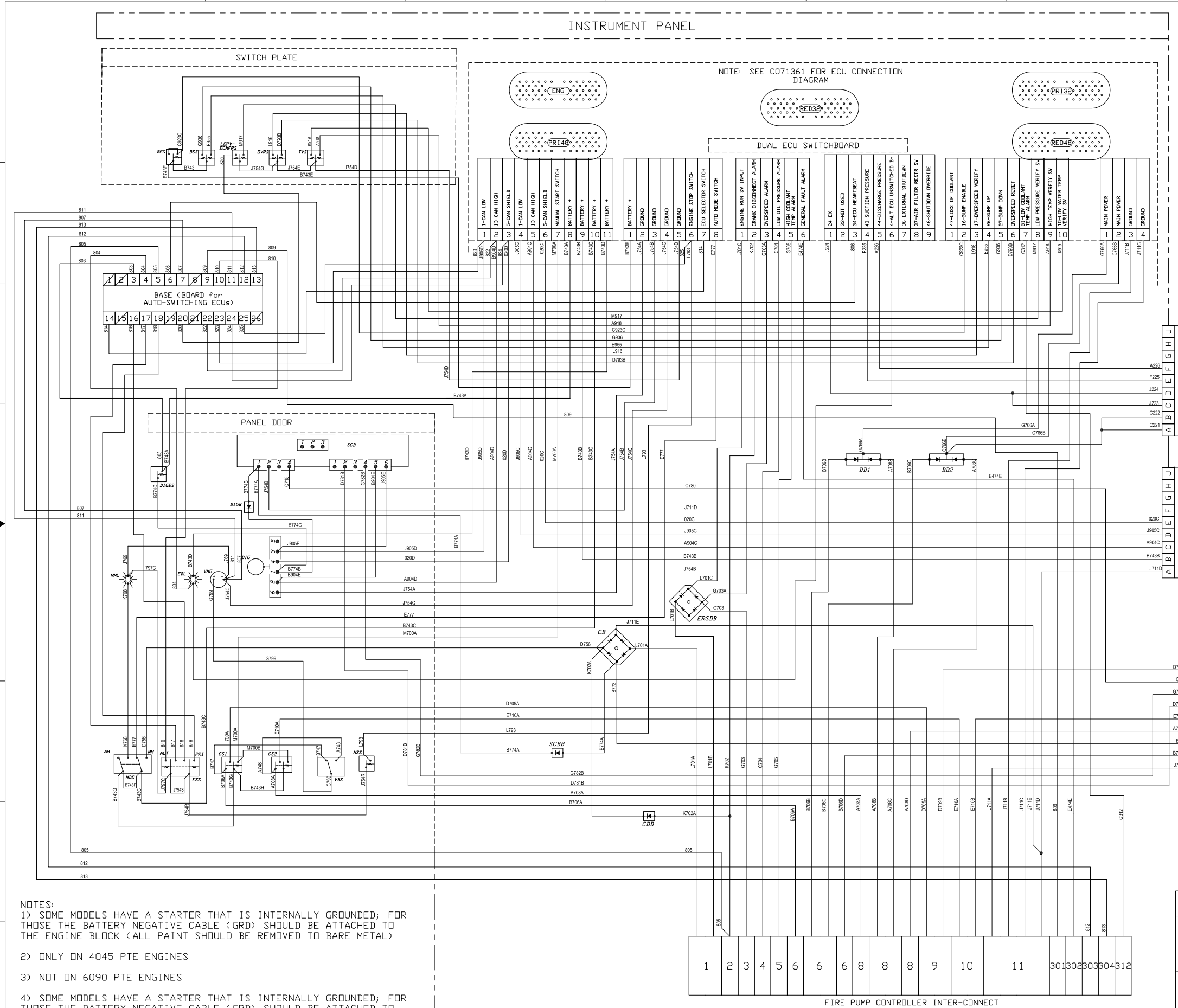
COLOR CODE

A - WHITE	G - BLUE
B - RED	I - PINK
C - ORANGE	J - BLACK
D - YELLOW	K - BROWN
E - GREEN	L - GRAY
F - GREEN	M - PURPLE
G - BLUE	

INSTRUMENT PANEL

NOTE: SEE C071361 FOR ECU CONNECTION DIAGRAM

DUAL ECU SWITCHBOARD



- NOTES:
- 1) SOME MODELS HAVE A STARTER THAT IS INTERNALLY GROUNDED; FOR THOSE THE BATTERY NEGATIVE CABLE (GRD) SHOULD BE ATTACHED TO THE ENGINE BLOCK (ALL PAINT SHOULD BE REMOVED TO BARE METAL)
 - 2) ONLY ON 4045 PTE ENGINES
 - 3) NOT ON 6090 PTE ENGINES
 - 4) SOME MODELS HAVE A STARTER THAT IS INTERNALLY GROUNDED; FOR THOSE THE BATTERY NEGATIVE CABLE (GRD) SHOULD BE ATTACHED TO THE ENGINE BLOCK (ALL PAINT SHOULD BE REMOVED TO BARE METAL)

FOR ENGINES BUILT AFTER AFTER NOVEMBER 2013

THIS DRAWING AND THE INFORMATION HEREON ARE OUR PROPERTY AND MAY BE USED BY OTHERS ONLY AS AUTHORIZED BY US. UNPUBLISHED RIGHTS RESERVED UNDER THE COPYRIGHT LAWS.

CLARKE
Fire Protection Products, Inc.

CONTROLLED DRAWING

DRWN M.JDEMCKOWSKI NAME WIRING DIAGRAM, TIER 3 ELECTRONIC ENGINES WITH ECM AUTO-SWITCHING

DATE 01APR09

ENGR KJKUNKLER

MATERIAL

PART NO. C072200

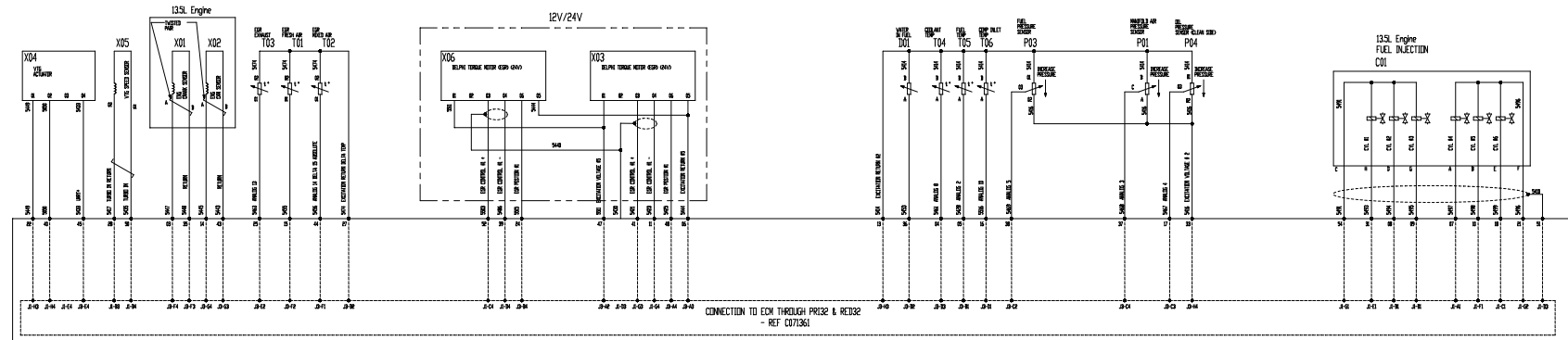
SCALE NTS

UNITS MM [INCH]

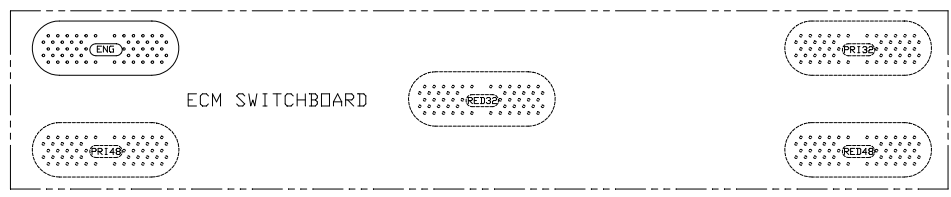
PAGE 1 OF 1

1	2	3	4	5	6	6	8	8	8	9	10	11	30	130	230	330	4312
FIRE PUMP CONTROLLER INTER-CONNECT																	

REV	DESCRIPTION	ECN#	DWN	APVD	DATE
A	ISSUED DRAWING	574	KJK		02NDIV08



ENG - SWITCHBOARD CONNECTION - 6135PTP



REFERENCE DEERE WIRING DIAGRAM

THIS DRAWING AND THE INFORMATION HEREIN ARE THE PROPERTY AND MAY BE USED AS AUTHORIZED BY DEERE & COMPANY. ALL RIGHTS RESERVED UNDER THE COPYRIGHT LAWS.

MODEL NO.	MODEL REV.	REVISION	DATE
Changing	A. 5		
DESIGN NO.	DESIGN REV.	DRAWING	DATE
Changing	A. 5		
SOURCING	OPEN	CLOSED	

DESIGNER	ERIC J. SCHMIDKE	SCALE	METRIC DRAWING SCALE
REVISIONS	2007-11-16 JRS-6113	DATE	
TITLE	DIAGRAM, SCHEMATIC	DRAWING NO.	J1090
	L15, 13.5L DEM (CLARKE)	REV	1
DEERE & COMPANY		REVISION	A
VERSION	RG	PART NUMBER	RE537503

THIS DRAWING AND THE INFORMATION HEREIN ARE THE PROPERTY AND MAY BE USED AS AUTHORIZED BY DEERE & COMPANY. ALL RIGHTS RESERVED UNDER THE COPYRIGHT LAWS.

CONTROLLED DRAWING

UNLESS OTHERWISE SPECIFIED TO OTHERWISE INDICATE:	DATE	NAME	SCALE
DECIMAL	MM	ENGINEER	
FRACTIONAL	1/32	ENGINEER	
ANGULAR	1/32	MATERIAL	XXXXXXXX
SIMILAR TO	XXXXXXXX	USED ON / LAYOUT PART NO.	

DRWN	NAME	SCALE	UNITS
			MM [INCH]
NAME		SCALE	UNITS
WIRING DIAGRAM,			
6135PTP TIER 3 ENG			
CONNECTION			
C071371			
PAGE	1	OF	1

CLARKE
Fire Protection Products, Inc.