

8 7 6 5 4 3 2 1

H

H

G

G

F

F

E

E

D

D

C

C

B

B

A

A

INSTRUMENT PANEL

NOTE: SEE C071361 FOR ECU CONNECTION DIAGRAM

DUAL ECU SWITCHBOARD

SWITCH PLATE

PANEL DOOR

ENGINE

FIRE PUMP CONTROLLER INTER-CONNECT

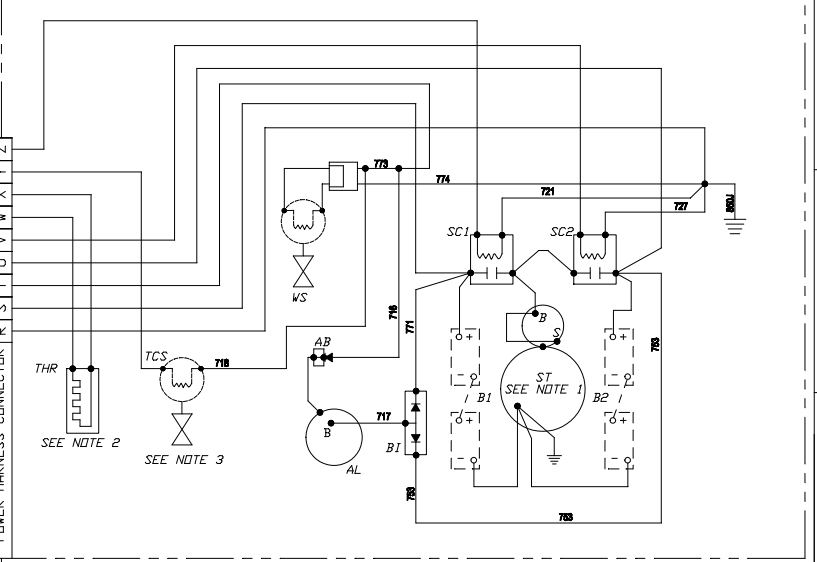
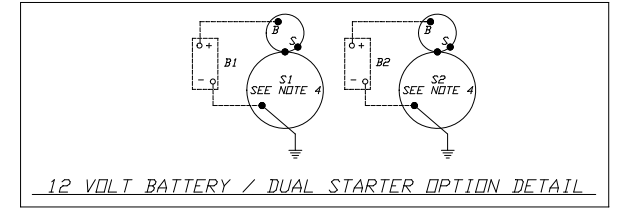
REV	DESCRIPTION	ECN#	DWN	APVD	DATE
H	SCBB WAS A DIODE BRIDGE, ADDED INLINE DIODE TO 774A. ADDED WIRES 701C AND 703A. DELETED WIRE 774. ADDED SPLICE JUNCTION TO WIRE 703.	2121	MJD	MJD	17DEC10
J	ADDED WIRE 702A AND CDD.	2121	MJD	MJD	02MAY11
K	AVS BECAME TVS. ADDED LOPVS. ADDED WIRE 754F TO OVR5 & LOPVS. MOVED WIRE 917 FROM AVS TO LOPVS. ADDED WIRE 919 TO TVS AND PIN 10 OF 10 PIN CONNECTOR. ADDED WIRE 312.	2134	MJD	MJD	05AUG11

LEGEND

- AB - ALTERNATOR BRIDGE
- AL - ALTERNATOR
- AM - AUTOMATIC MODE POSITION
- B1 - BATTERY #1
- B2 - BATTERY #2
- BB1 - BATTERY BRIDGE #1
- BB2 - BATTERY BRIDGE #2
- BES - BUMP ENABLE SWITCH
- BSS - SPEED BUMP SWITCH
- B1 - BATTERY ISOLATOR
- CS1 - CRANK (MANUAL) SWITCH - BATT#1
- CS2 - CRANK (MANUAL) SWITCH - BATT#2
- CB - COOLANT BRIDGE
- CDD - CRANK DISCONNECT DIODE
- DIA - DIAGNOSTIC GAUGE
- DIGB - DIAGNOSTIC GAUGE DIODE BRIDGE
- DIGDS - DIAGNOSTIC GAUGE DISPLAY SWITCH
- EBL - ALTERNATE ECU INDICATING LAMP
- ERSDB - ENGINE RUN SIGNAL DIODE BRIDGE
- ESS - ECU SELECTOR SWITCH
- LOPVS - LOW OIL PRESSURE VERIFY SWITCH
- MDS - MODE SELECTOR SWITCH
- MM - MANUAL MODE POSITION
- MML - MANUAL MODE INDICATING LAMP
- MP - MAGNETIC PICK-UP
- MSS - MANUAL STOP SWITCH
- DCB - OVER-CURRENT BREAKER
- DVRS - OVERSPEED VERIFY @ 67% / RESET SWITCH
- SC1 - STARTER CONTACTOR BATT#1
- SC2 - STARTER CONTACTOR BATT#2
- SCB - SOLENOID CONTROL BOARD
- SCBB - SOLENOID CONTROL BOARD DIODE
- ST - STARTER
- TCS - TEMPERATURE CONTROL SOLENOID
- THR - SCB THERMISTOR (COMPRESSOR INLET)
- TVS - TEMPERATURE ALARM VERIFY SWITCH
- VBS - BATTERY VOLTAGE SELECTOR
- VMG - VOLTMETER GAUGE
- WS - WATER SOLENOID VALVE
- WT - WATER TEMPERATURE N.D. SW 205°F

COLOR CODE

- A - WHITE
- B - RED
- C - ORANGE
- D - YELLOW
- E - GREEN
- F - GREEN
- G - BLUE
- G - BLUE
- I - PINK
- J - BLACK
- K - BROWN
- L - GRAY
- M - PURPLE



- NOTES:
- SOME MODELS HAVE A STARTER THAT IS INTERNALLY GROUNDED; FOR THOSE THE BATTERY NEGATIVE CABLE (GRD) SHOULD BE ATTACHED TO THE ENGINE BLOCK (ALL PAINT SHOULD BE REMOVED TO BARE METAL)
 - ONLY ON 4045 PTE ENGINES
 - NOT ON 6090 PTE ENGINES
 - SOME MODELS HAVE A STARTER THAT IS INTERNALLY GROUNDED; FOR THOSE THE BATTERY NEGATIVE CABLE (GND) SHOULD BE ATTACHED TO THE ENGINE BLOCK (ALL PAINT SHOULD BE REMOVED TO BARE METAL)

FOR ENGINES BUILT AFTER OCTOBER, 2011

THIS DRAWING AND THE INFORMATION HEREIN ARE OUR PROPERTY AND MAY BE USED BY OTHERS ONLY AS AUTHORIZED BY US. UNPUBLISHED - ALL RIGHTS RESERVED UNDER THE COPYRIGHT LAWS.

CLARKE
Fire Protection Products, Inc.

DRWN: MUEDEMBKOWSKI
DATE: 01APR09
ENGR: KJKUNKLER

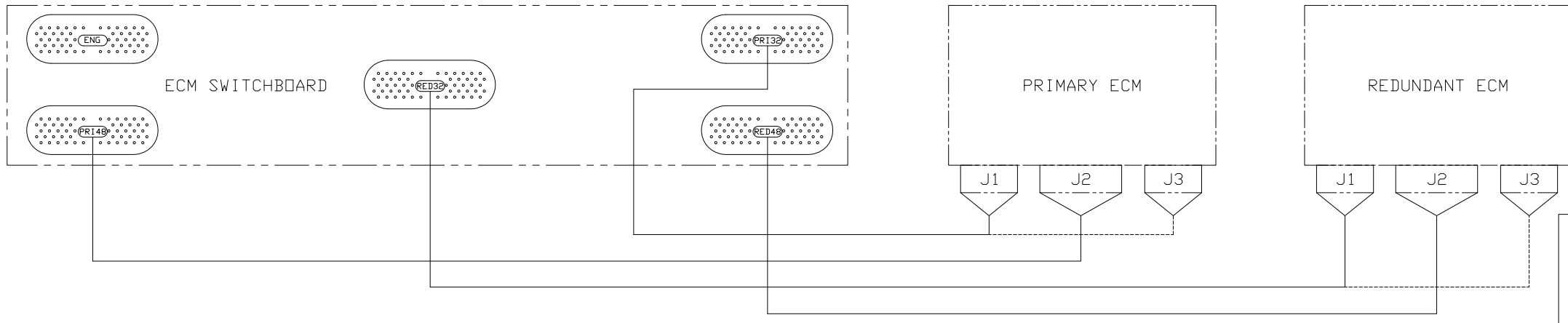
WIRING DIAGRAM, TIER 3 ELECTRONIC ENGINES

PART NO: C071360

SCALE: NTS

UNITS: MM [INCH]

PAGE 1 OF 1



Revision table with columns: REV, DESCRIPTION, ECN#, DWN, APVD, DATE. Includes entries A, B, and C.

PRI48 & RED48 TO ECU J2

ALL table listing wire numbers, colors, connections, and descriptions for various components.

PRI32 & RED32 TO ECU J1 & J3

6068PTE table listing wire numbers, colors, connections, and descriptions.

6090PTE table listing wire numbers, colors, connections, and descriptions.

6135PTP table listing wire numbers, colors, connections, and descriptions.

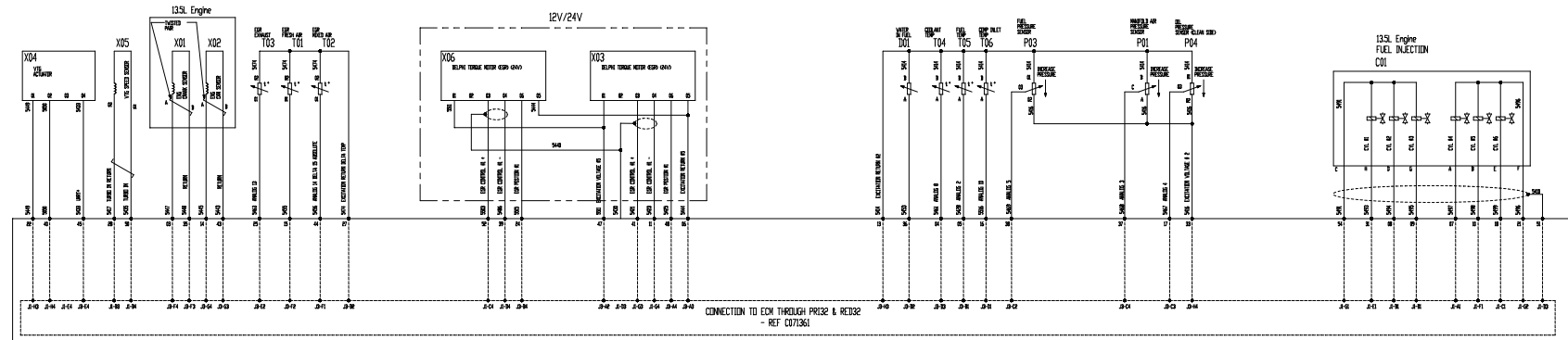
6068PTP table listing wire numbers, colors, connections, and descriptions.

60908PTP table listing wire numbers, colors, connections, and descriptions.

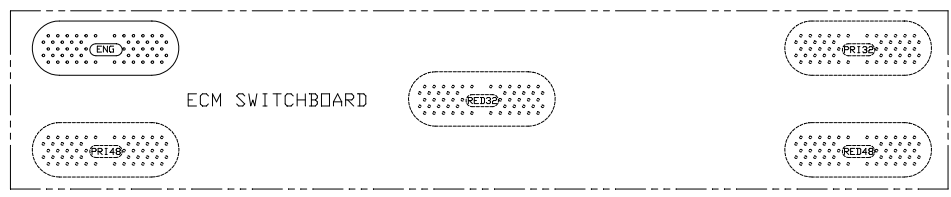
Table mapping JOHN DEERE DESIGNATION to CLARKE ENGINE MODELS, WIRING DIAGRAM P/N, ECM P/N, and ECM LEVEL.

CLARKE Fire Protection Products, Inc. drawing information including title, date, author, and scale.

REV	DESCRIPTION	ECN#	DWN	APVD	DATE
A	ISSUED DRAWING	574	KJK		02NDIV08



ENG - SWITCHBOARD CONNECTION - 6135PTP



REFERENCE DEERE WIRING DIAGRAM

THIS DRAWING AND THE INFORMATION HEREIN ARE THE PROPERTY AND MAY BE USED AS AUTHORIZED BY DEERE & COMPANY. ALL RIGHTS RESERVED UNDER THE COPYRIGHT LAWS.

MODEL NO.	MODEL REV.	REVISION	DATE
Changing	A. 5		
DESIGN NO.	DESIGN REV.	DRAWING	DATE
Changing	A. 5		
SOURCING	OPEN	CLOSED	

DESIGNER	ERIC J. SCHMADKE	SCALE	METRIC DRAWING SCALE
REVISIONS	2007-11-16 LRS-6113	DATE	
TITLE	DIAGRAM, SCHEMATIC	DRAWING NO.	J1090
	L15, 13.5L DEM (CLARKE)	REV.	1
DEERE & COMPANY		REVISION	A
VERSION	RG	PART NUMBER	RE537503

THIS DRAWING AND THE INFORMATION HEREIN ARE THE PROPERTY AND MAY BE USED AS AUTHORIZED BY DEERE & COMPANY. ALL RIGHTS RESERVED UNDER THE COPYRIGHT LAWS.

CONTROLLED DRAWING

UNLESS OTHERWISE SPECIFIED TO OTHERWISE INDICATE:	DATE	NAME	SCALE
DECIMAL	MM	ENGINEER	
FRACTIONAL	1/16	ENGINEER	
ANGULAR	1/32	MATERIAL	
SIMILAR TO	XXXXXXX	USED ON / LAYOUT PART NO.	

DRWN	NAME	SCALE	UNITS
			MM [INCH]
DATE	DDMMYY	SCALE	NTS
ENGR	ENGINEER	SCALE	NTS
MATERIAL	XXXXXXXX	SCALE	NTS
USED ON / LAYOUT PART NO.		SCALE	NTS

CLARKE
Fire Protection Products, Inc.

NAME: WIRING DIAGRAM, 6135PTP TIER 3 ENG CONNECTION

PART NO: C071371

SCALE: NTS

PAGE 1 OF 1